



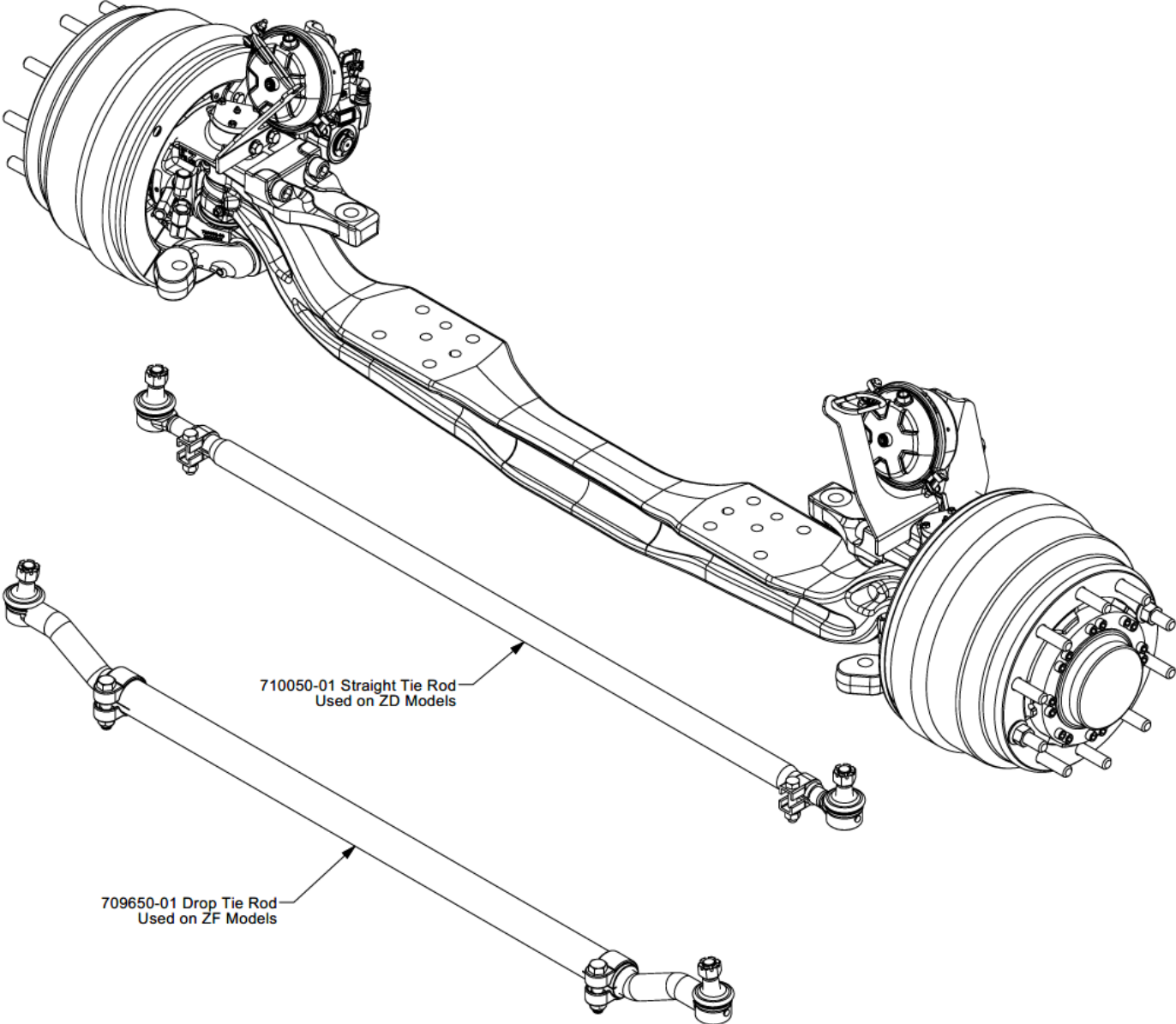
HYDRAULIC AWD

PARTS CATALOG

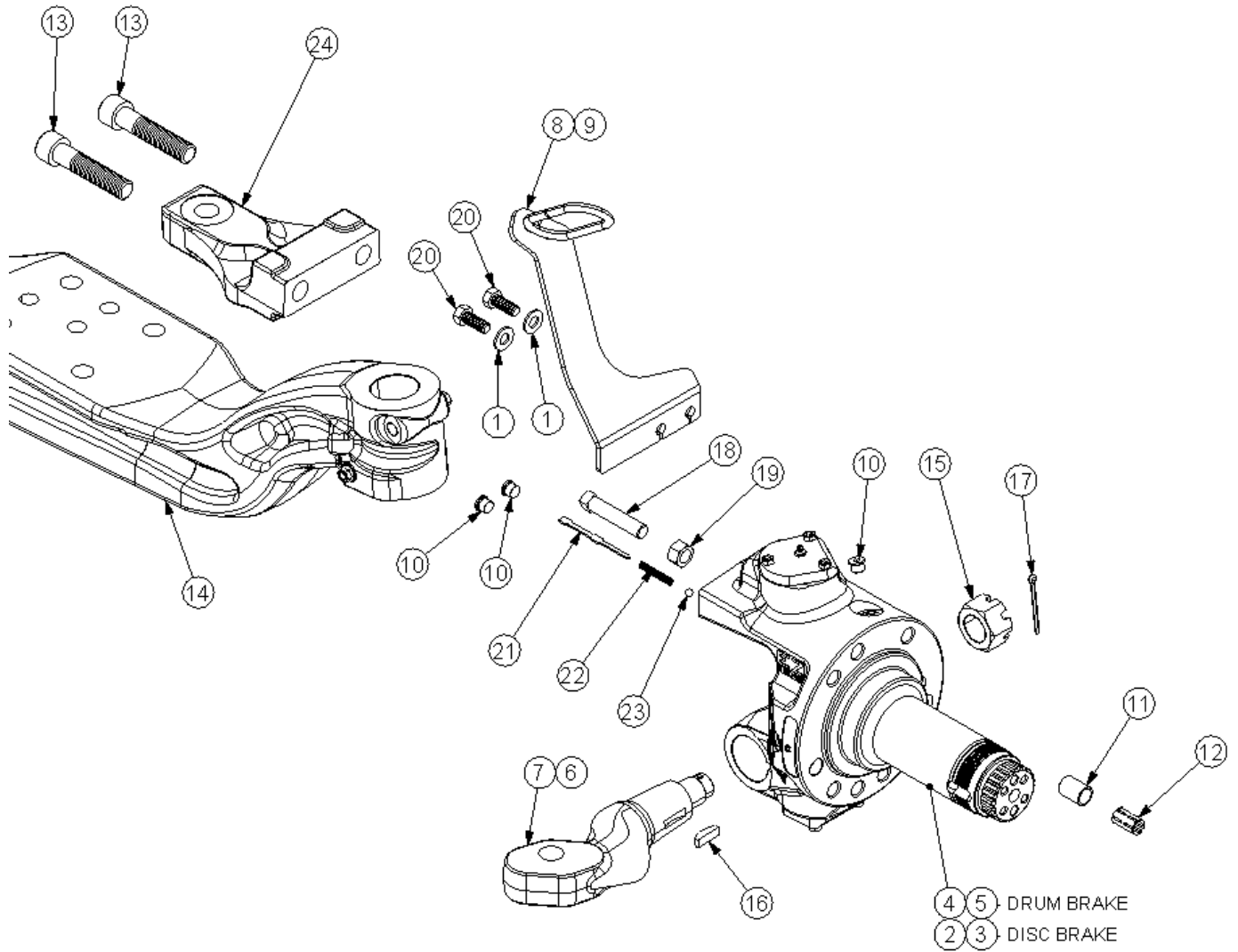
TABLE OF CONTENTS

TIE ROD ASSEMBLY	3	EZ TRAC COMPUTER CABLE AND ADAPTER KIT	30
EXPLODED KNUCKLE, DRUM & DISC	4 & 5	IHCP WIRE HARNESS ASSEMBLY W/MODE SWITCH	31
EXPLODED DRUM KNUCKLE HYDRAULICS	6	IHCP TDS VALVE LEG	32
EXPLODED DISC KNUCKLE HYDRAULICS	7	PUMP CONTROL LEG	33
EXPLODED HUB, DISC BRAKE	8	12 VOLT BATTERY LEG	34
EXPLODED HUB, DRUM BRAKE	9	TEMP LEVEL SWITCH LEG	35
EXPLODED MOTOR ASSEMBLY	10	MAIN BACKBONE W/MODE SWITCH	36 & 37
EXPLODED DISC BRAKE ASSEMBLY	11	CAB LEG W/DISPLAY AND MODE SWITCH	38 & 39
EXPLODED KING PIN SERVICE KIT	12 & 13	CAB LEG EXTENSION	40
SERVICE SEAL KIT	14	EZ TRAC SWITCH ASSEMBLY	41
COMPACT COOLER ASSEMBLY	15	STEER STOP KIT, GREEN	42
EXPLODED EZ TRAC VALVE	16-18	STEER STOP KIT, RED	43
EXPLODED 90 DEGREE MOUNTING ASSEMBLY	19	STEER STOP KIT, GRAY	44
BACK OF CAB MOUNTING ASSEMBLY	20	STEER STOP KIT, BLACK	45
EXPLODED FOOT MOUNT BRACKET ASSEMBLY	21	STEER STOP KIT, YELLOW	46
EXPLODED LOW PROFILE FOOT MOUNT BRACKET ASS'Y	22	STEER STOP KIT APPLICATION/SELECTION GUIDE	47
SMART DRIVE COMPONENTS	23	PTOs, Wheels, Pumps	48
HYDRAULICS COMPONENTS KIT	24	BRAKES & RECOMMENDED SPARE PARTS LIST	49
FREEWHEEL VALVE FITTING KIT	25	TDS CONTACT INFORMATION	50
COMPACT COOLER 90 DEGREE FITTING KIT	26		
COMPACT COOLER BACK OF CAB MOUNT BOLT KIT	27 & 28		
P90 PUMP / RPM SENSOR	29		

TIE ROD ASSEMBLY (Drum Brake and Disc Brake Unit Tie Rods are the same)



EXPLODED KNUCKLE, DRUM & DISC

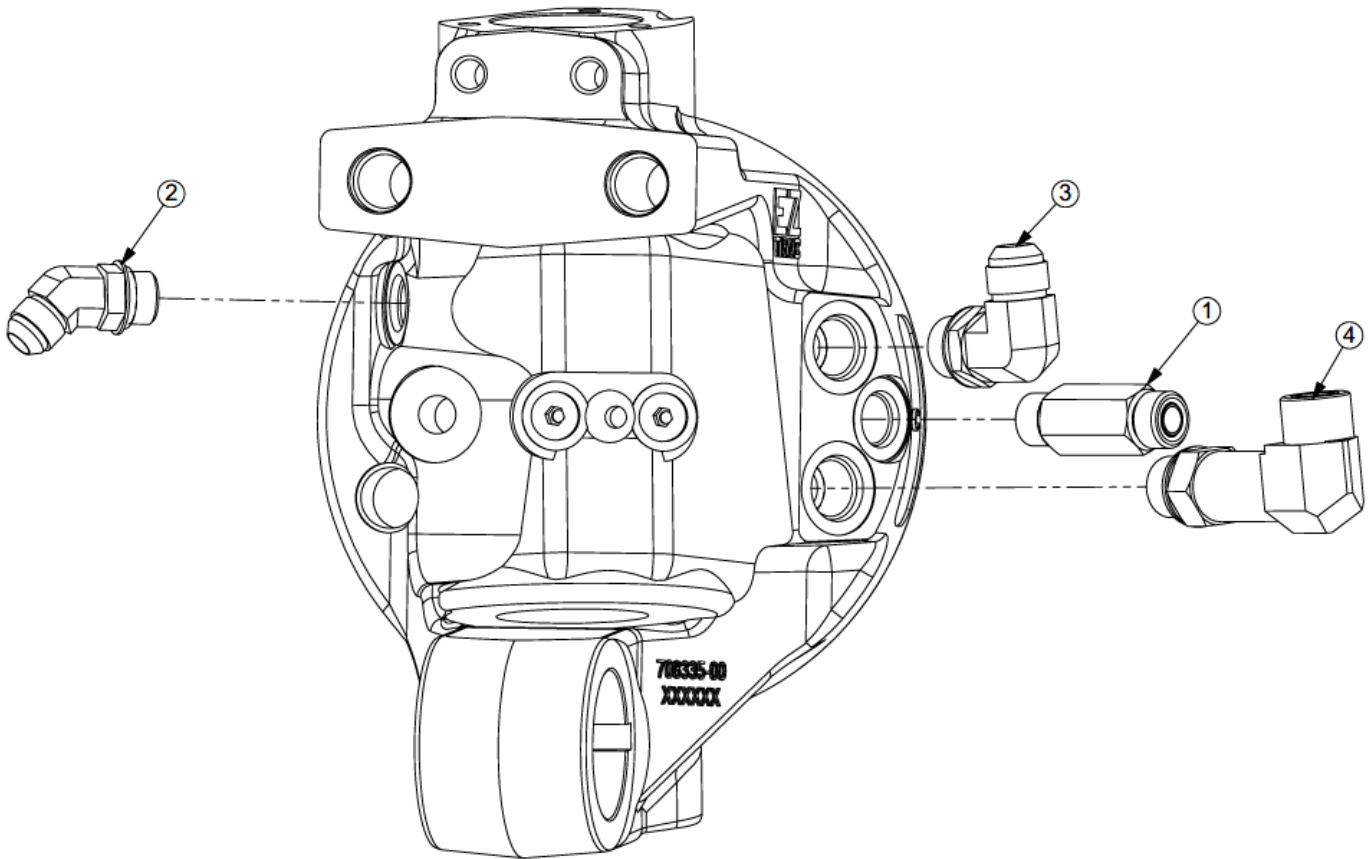


EXPLODED KNUCKLE, DRUM & DISC (CONTINUED)

	ITEM NO.	QTY.	PART NUMBER	DESCRIPTION
	1	2	118	FW .531 X 1.062 X .095
DISC BRAKE	2	1	708362-07	Knuckle, R.H. W/Bushings IHCP
DISC BRAKE	3	1	708335-07	Knuckle, L.H. W/Bushings IHCP
DRUM BRAKE	4	1	708335-08	Knuckle, RH w/Bushings IHCP
DRUM BRAKE	5	1	708362-08	Knuckle, LH w/Bushings IHCP
	6	1	708628-03	Dana 220TR135-3 LH Tie Rod Arm
	7	1	708629-03	Dana 220TR136-3 RH Tie Rod Arm
	8	1	709692-02	Hose Guide ASM, RH
	9	1	709692-01	Hose Guide ASM, LH
	10	3	200179	Plug-Hollow Hex 06 ORB
	11	1	708655-01	ABS SENSOR BUSHING
	12	1	708653-01	ABS SENSOR SPRING RETAINER
	13	2	710194-01	SHCS 7/8-9 X 4.00 Magni 565
	14	1	708627-01	Dana I200W 220TB104-2 Axle Beam W/Holes
	15	1	708630-01	Dana Slotted Nut (161HN101)
	16	1	708631-01	Woodruff Key, SAE #129
	17	1	708632-01	Cotter Pin 3/16x2.3
	18	1	708696-01	5/8-11 X 3" Stop Bolt
	19	1	89418754	N 5/8-11 GR. 8 ZY
	20	2	709304-01	HHB 1/2-13x1 .25 Gr.5 ZY
	21	1	710747-01	Stop Pin
	22	1	710750-01	Spring, C0300-038-2000-M
	23	1	103705	Check Ball, 5/16 Dia, Rc 50 Min
	24	1	710144	Cast Machined Steering Ear

EXPLODED DRUM KNUCKLE HYDRAULIC FITTINGS

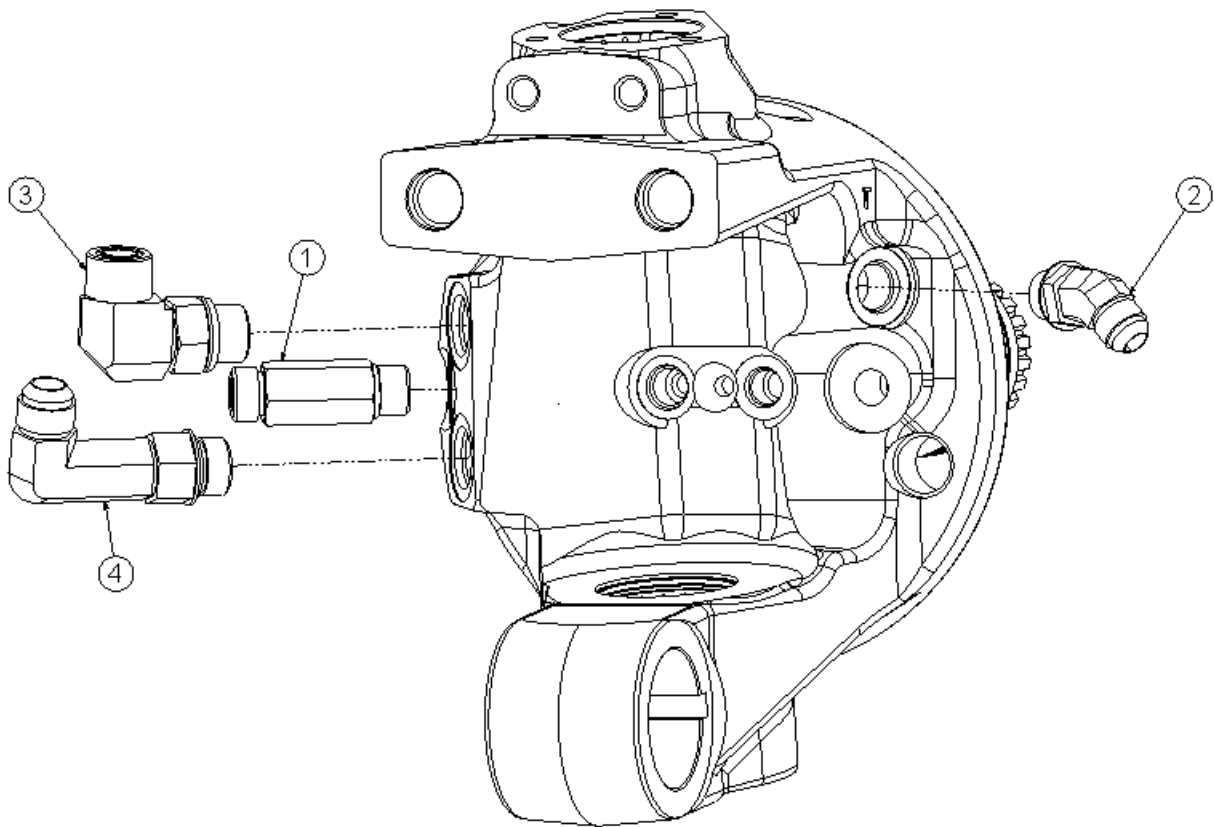
Fittings are the same for RH and LH Knuckles



ITEM NO.	QTY.	PART NUMBER	DESCRIPTION
1	1	200489	08 ORB/ 08 ORS-M Adapter, Long Hex
2	1	200490	45 deg 08 ORB-M/ 08 JIC-M Elbow
3	1	200497	10 ORB x 10 JIC 90 Deg Elbow
4	1	709771-01	90 Elbow 10ORB/10ORS Long

FITTINGS ARE THE SAME FOR RH AND LH KNUCKLES

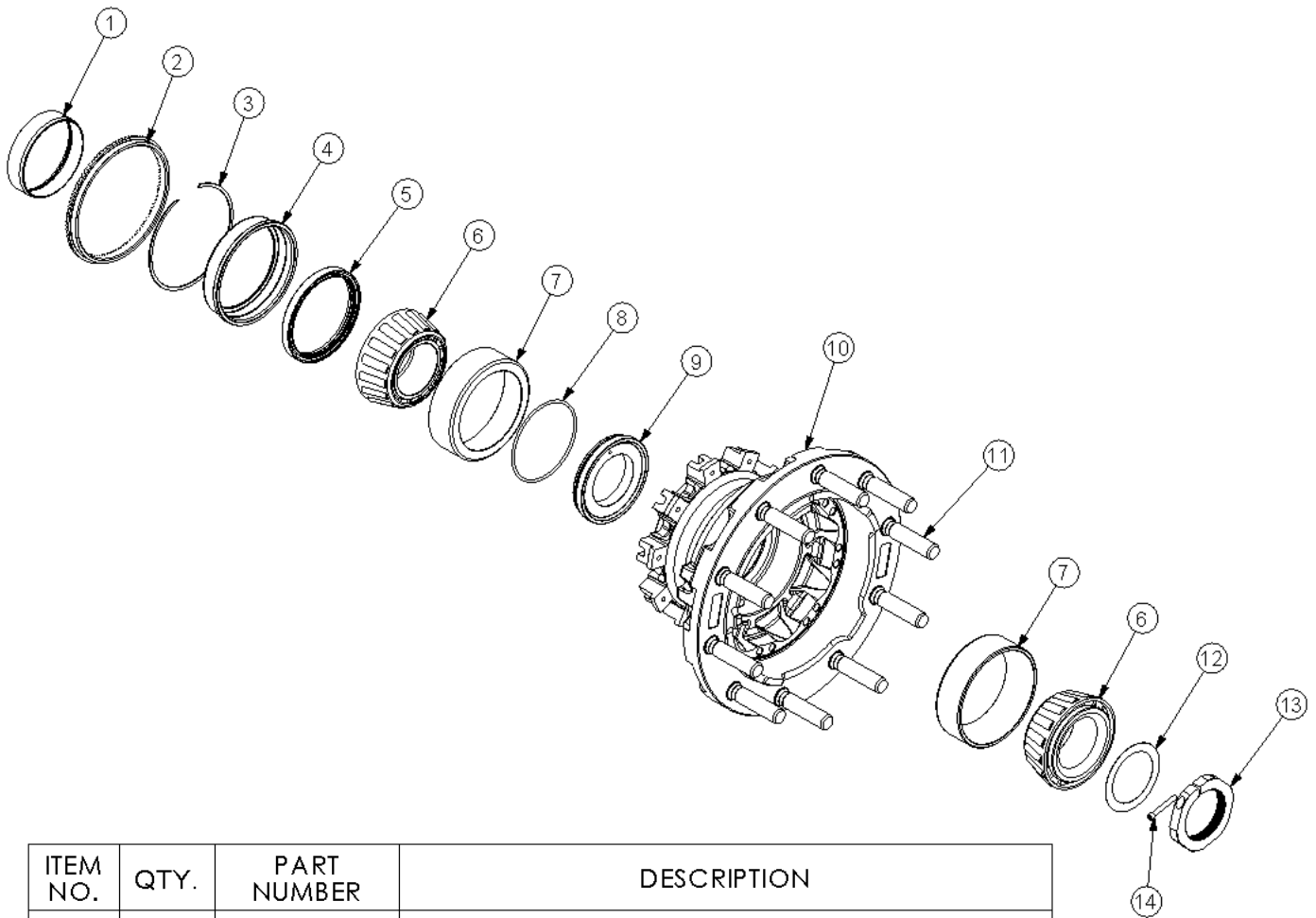
EXPLODED DISC KNUCKLE HYDRAULIC FITTINGS



ITEM NO.	QTY.	PART NUMBER	DESCRIPTION
1	1	200489	08 ORB/ 08 ORS-M Adapter, Long Hex
2	1	200490	45 deg 08 ORB-M/ 08 JIC-M Elbow
3	1	200394	10ORB/10ORS Elbow
4	1	200498	10 ORB x 10 JIC 90 Deg Elbow Long

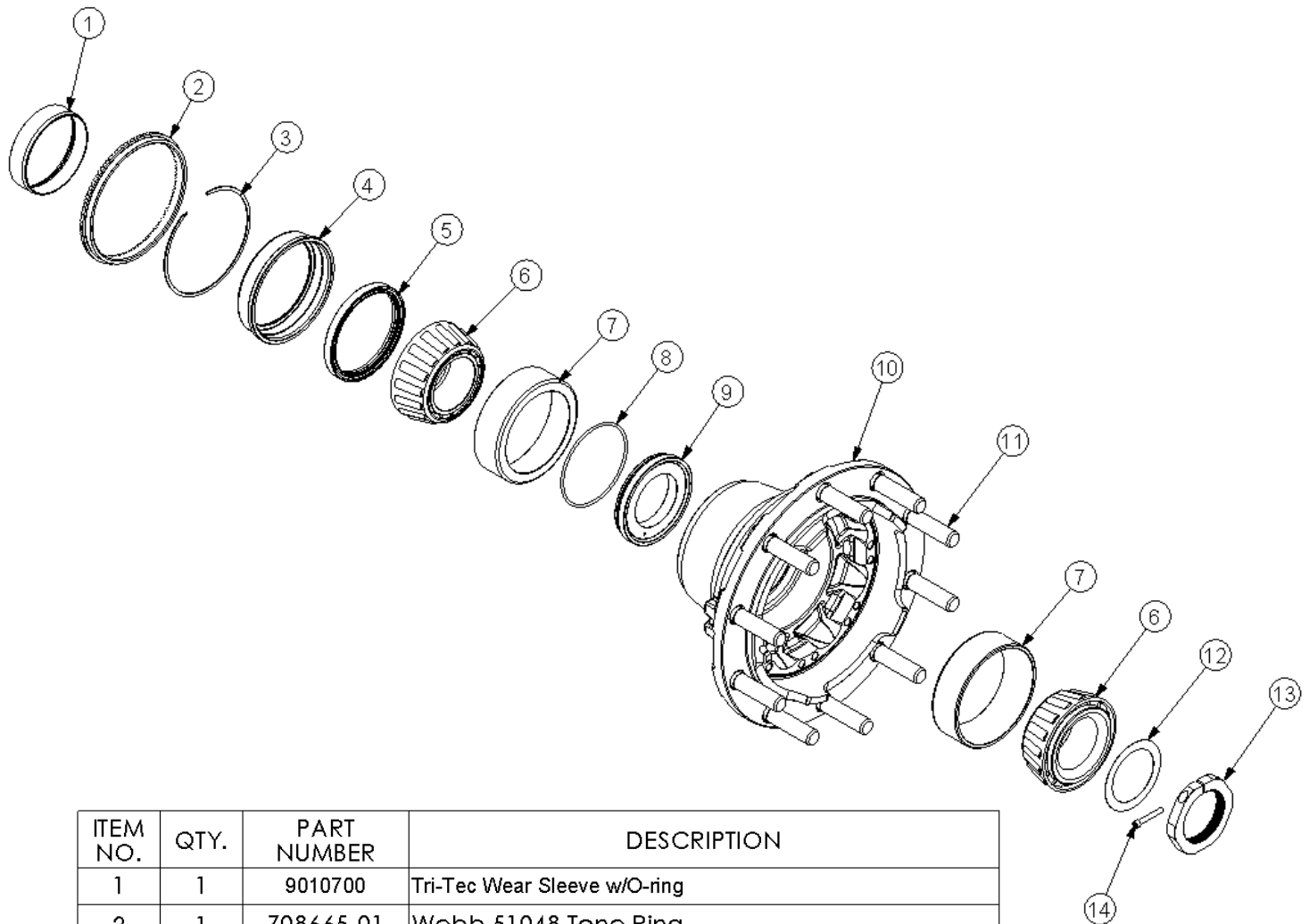
FITTINGS ARE THE SAME FOR RH AND LH KNUCKLES

EXPLODED HUB, DISC BRAKE



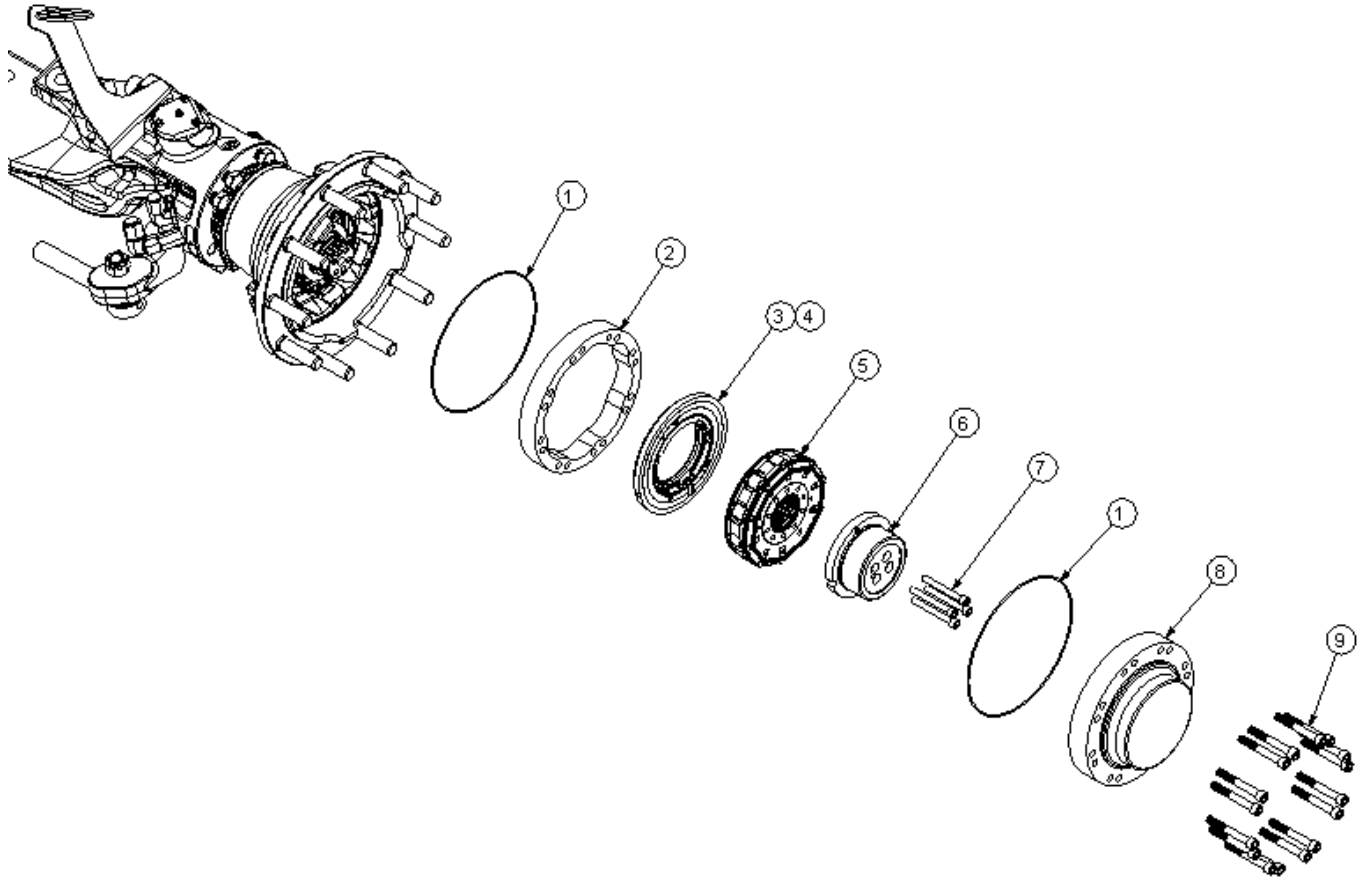
ITEM NO.	QTY.	PART NUMBER	DESCRIPTION
1	1	9010700	Tri-Tec Wear Sleeve w/O-ring
2	1	708665-01	Webb 51048 Tone Ring
3	1	709131-01	Internal Snap Ring
4	1	709127-01	Seal Cover
5	1	708400-03	Seal Tri-Tec T-31337
6	2	709689-01	Bearing-Taper, Inner
7	2	709690-01	Bearing Cup
8	1	708563-01	O-Ring #-246 4.484 ID X .139
9	1	708564-01	Bulkhead
10	1	708296-01	Hub, Disc Brake
11	10	708567-02	Wheel stud M22-1.5 x 4.00, 1.015 knurled shoulder
12	1	709634-01	Washer, Wheel Bearing-Nut
13	1	710745-01	Wheel Bearing Locknut
14	1	710744-01	Self Locking SHCS 1/4-20 X 1-3/4

EXPLODED HUB, DRUM BRAKE



ITEM NO.	QTY.	PART NUMBER	DESCRIPTION
1	1	9010700	Tri-Tec Wear Sleeve w/O-ring
2	1	708665-01	Webb 51048 Tone Ring
3	1	709131-01	Internal Snap Ring
4	1	709127-01	Seal Cover
5	1	708400-03	Seal Tri-Tec T-31337
6	2	709689-01	Bearing-Taper, Inner
7	2	709690-01	Bearing Cup
8	1	708563-01	O-Ring #-246 4.484 ID X .139
9	1	708564-01	Bulkhead
10	1	708295-01	Hub, Machining
11	10	708567-02	Wheel stud M22-1.5 x 4.00, 1.015 knurled shoulder
12	1	709634-01	Washer, Wheel Bearing-Nut
13	1	710745-01	Wheel Bearing Locknut
14	1	710744-01	Self Locking SHCS 1/4-20 X 1-3/4

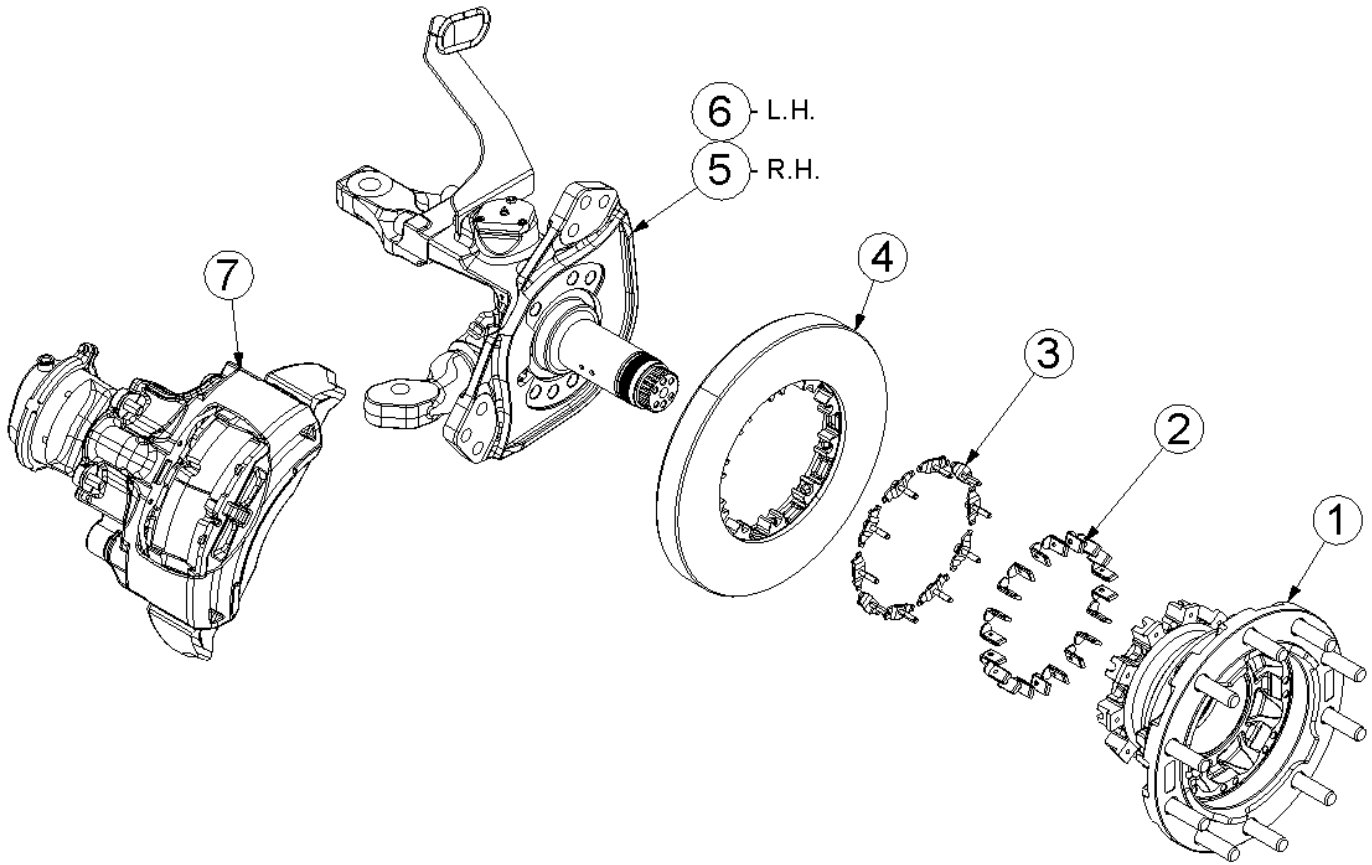
EXPLODED MOTOR ASSEMBLY



ITEM NO.	QTY.	PART NUMBER	DESCRIPTION
1	2	103984	O-Ring #-178 9.737 ID X .103
2	1	*See Chart	Cam Ring
3	1	710752-02	RH Pump ASM
4	1	710752-01	LH PUMP ASM
5	1	708577-06	Machined Piston Block Assembly, IHCP
6	1	708577-02	Manifold Block
7	4	708573-01	M10-1.50 X 85 SHCS CL 12.9
8	1	708577-05	Cover Plate
9	16	708574-01	M12-1.75 X 90 SHCS CL 12.9 Magni 565

Cam Ring Chart	
Model Code	Part Number
ZXXXXXX38X	9033138
ZXXXXXX45X	9033145
ZXXXXXX51X	9033151
ZXXXXXX57X	9033157
ZXXXXXX64X	9033164
ZXXXXXX70X	9033170
ZXXXXXX76X	9033176
ZXXXXXX83X	9033183

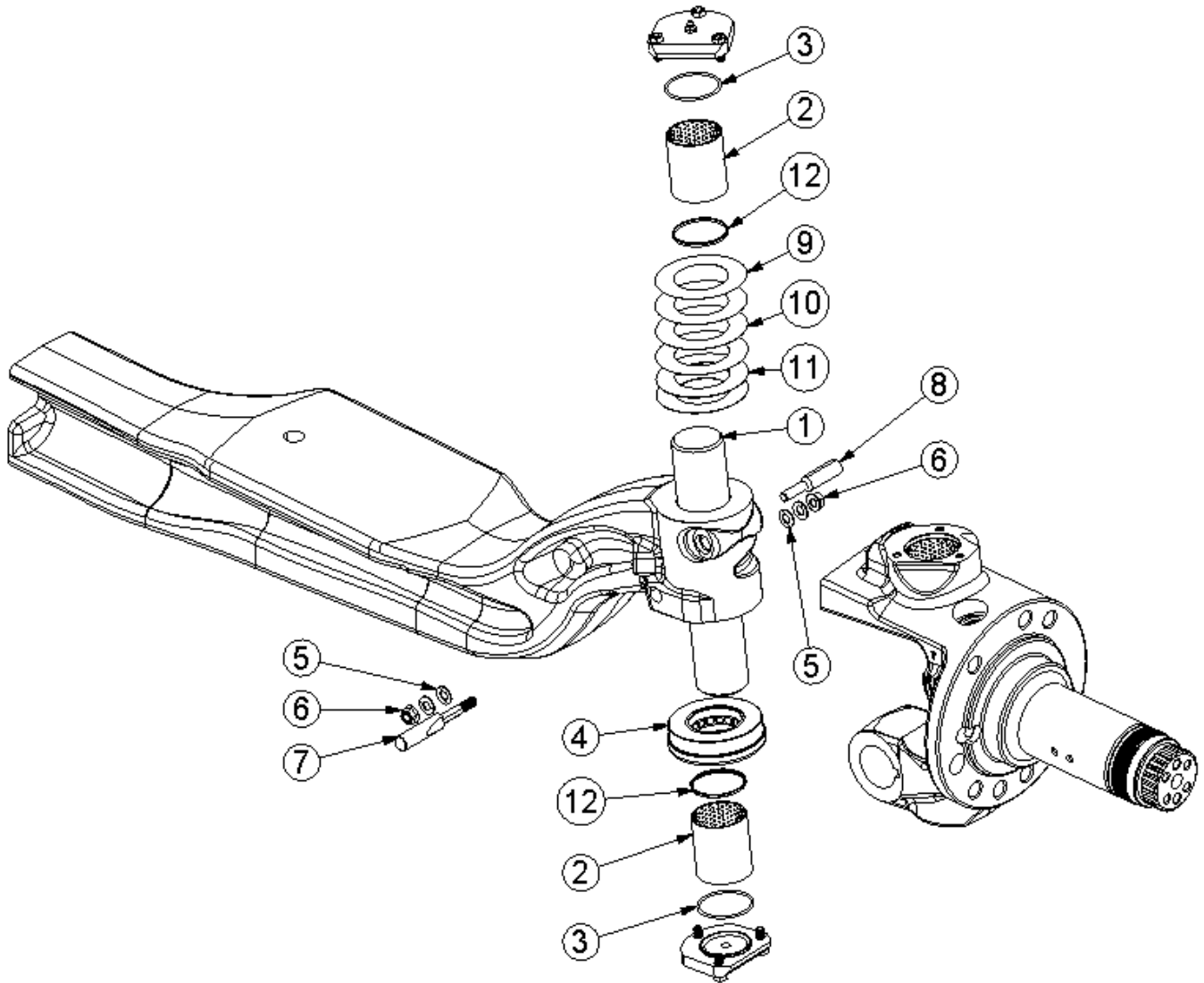
EXPLODED DISC BRAKE ASSEMBLY



ITEM NO.	QTY.	PART NUMBER	DESCRIPTION
1	1	708296-01	Hub, Disc Brake
2	20	708694-01	Spacer
3	10	708695-01	Spring Element
4	1	708693-01	Brake Rotor
5	1	708689-02	Torque Plate Bendix K027526
6	1	708689-01	Torque Plate Bendix K027525
7	1	See Chart	Caliper, Type __ Actuator R.H.

Caliper Part Numbers	
708753-01	10-14K Rating LH
708753-02	10-14K Rating RH (Shown)
708698-01	16-20K Rating LH
708698-02	16-20K Rating RH (Shown)

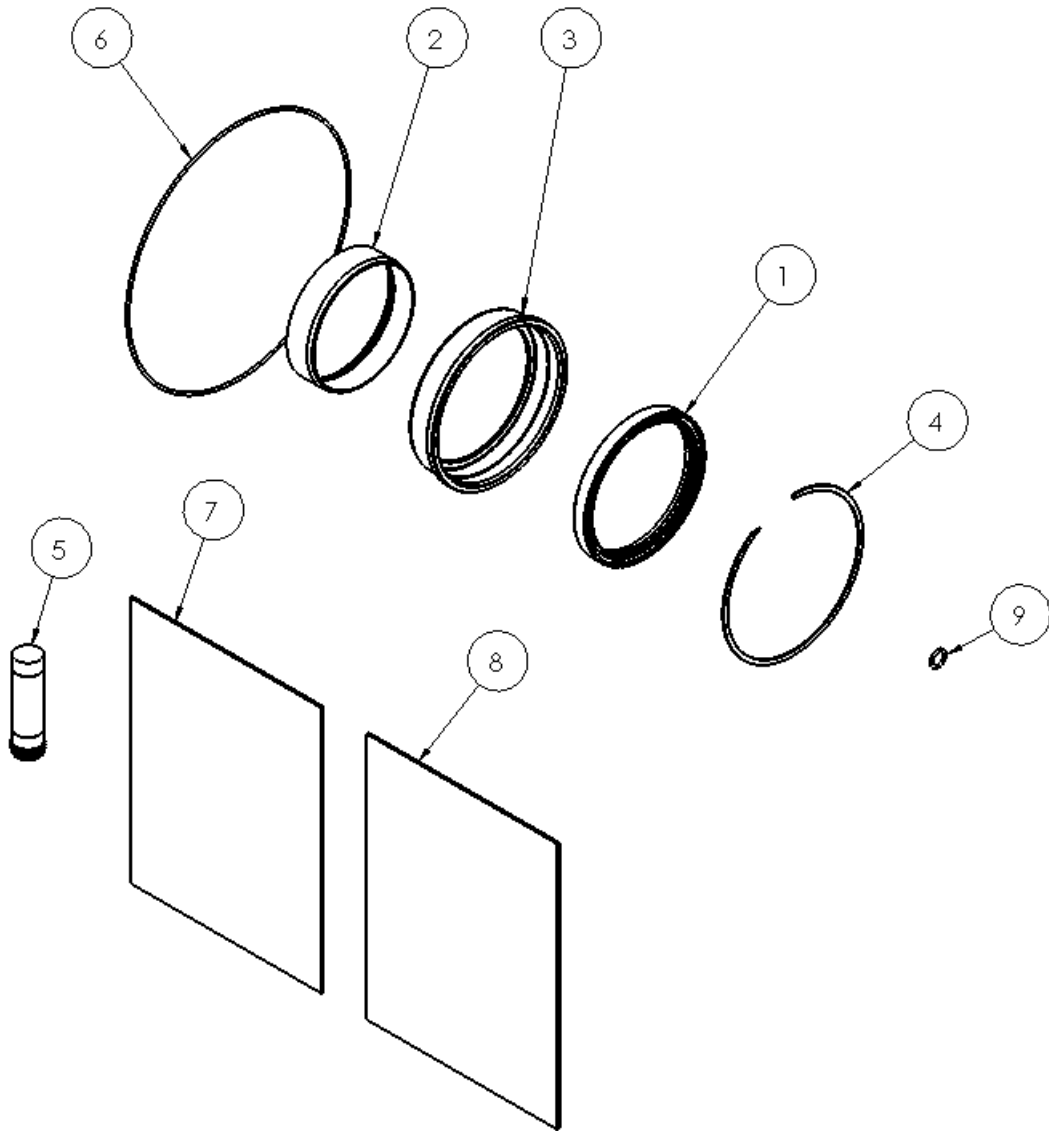
EXPLODED KING PIN SERVICE KIT (150497)



EXPLODED KING PIN SERVICE KIT (150497) CONTINUED

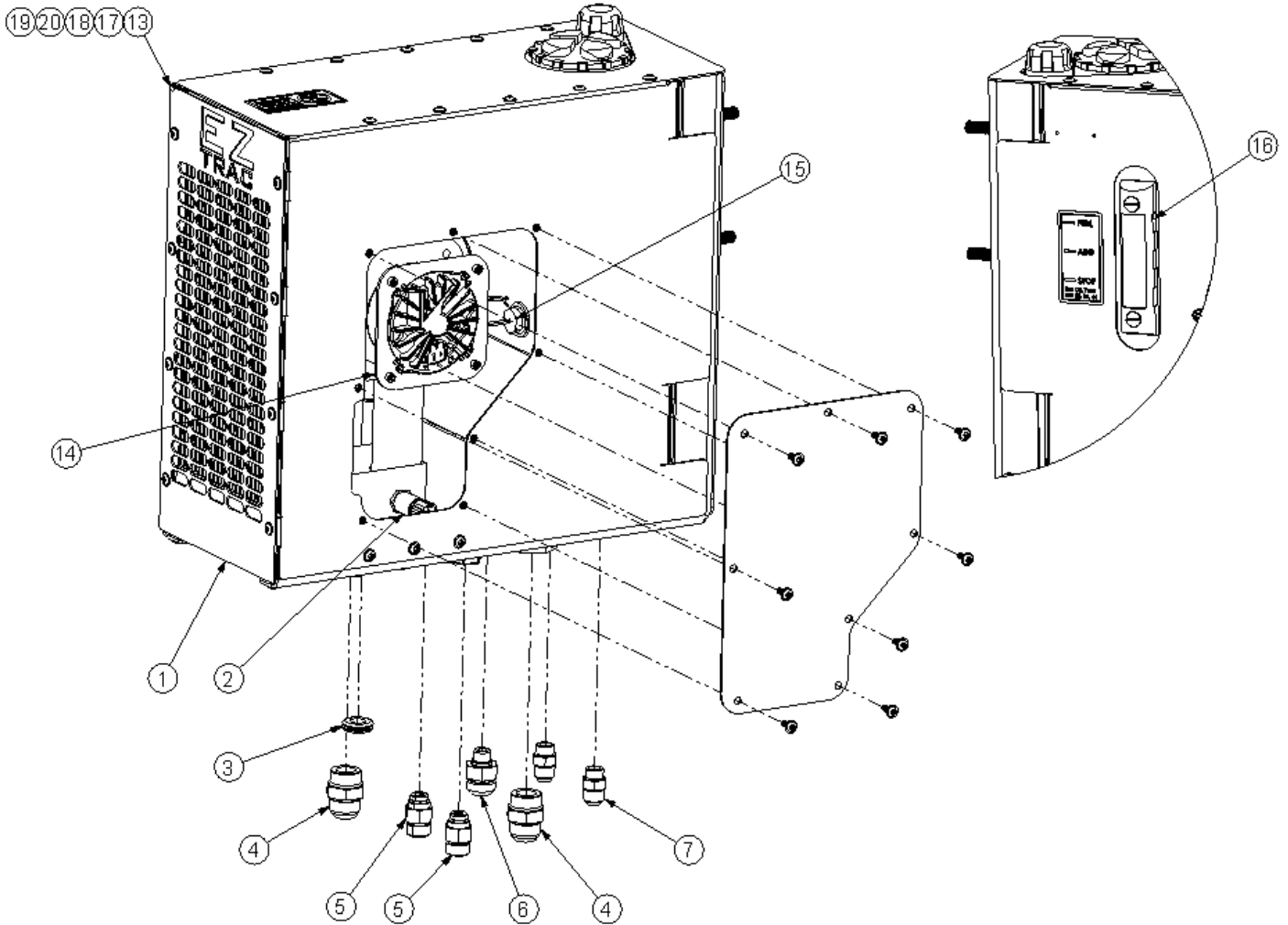
ITEM NO.	QTY.	PART NUMBER	DESCRIPTION
1	1	708642-01	King Pin
2	2	708643-01	Bushing, Garlock
3	2	708644-01	O-Ring
4	1	708646-01	Asy, Bearing, Thrust
5	4	708647-01	Belleville Washer
6	2	708648-01	Lock Nut, Draw Key 3/8 Thread
7	1	708649-02	Draw Key, Inner, 4.62 Long
8	1	708650-02	Draw Key, Outer, 3.44 Long
9	2	708651-05	Shim, .005" Thick
10	2	708651-10	Shim, .010" Thick
11	2	708651-20	Shim, .020" Thick
12	2	708652-01	KING PIN OIL SEAL
13	1	D150497	Installation Drawing

SERVICE SEAL KIT (150496)



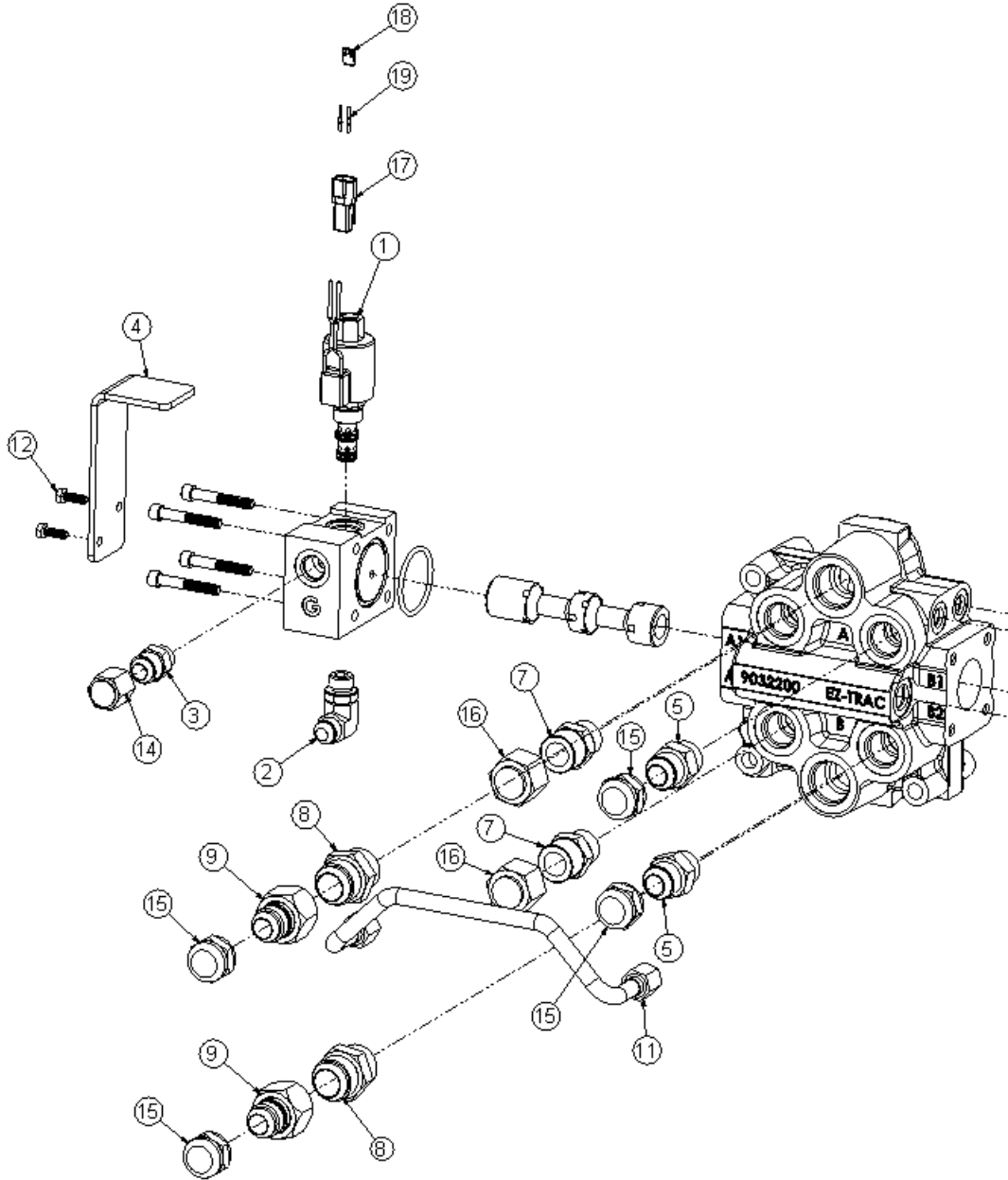
ITEM NO.	QTY.	PART NUMBER	DESCRIPTION
1	1	708400-03	Seal Tri-Tec T-31337
2	1	9010700	Tri-Tec Wear Sleeve w/O-ring
3	1	709127-01	Seal Cover
4	1	709131-01	Internal Snap Ring
5	1	107404	Loctite 548, 18g Stick
6	2	103984	Oring #178 9.737 ID x .103
7	1	D150496	Seal Kit Installation Instructions
8	1	107404 MSDS	107404 MSDS Sheets
9	2	107411	O-Ring #112 .487 ID x.103 W 90 durometer nitrile

COMPACT COOLER ASSEMBLY (9012400)

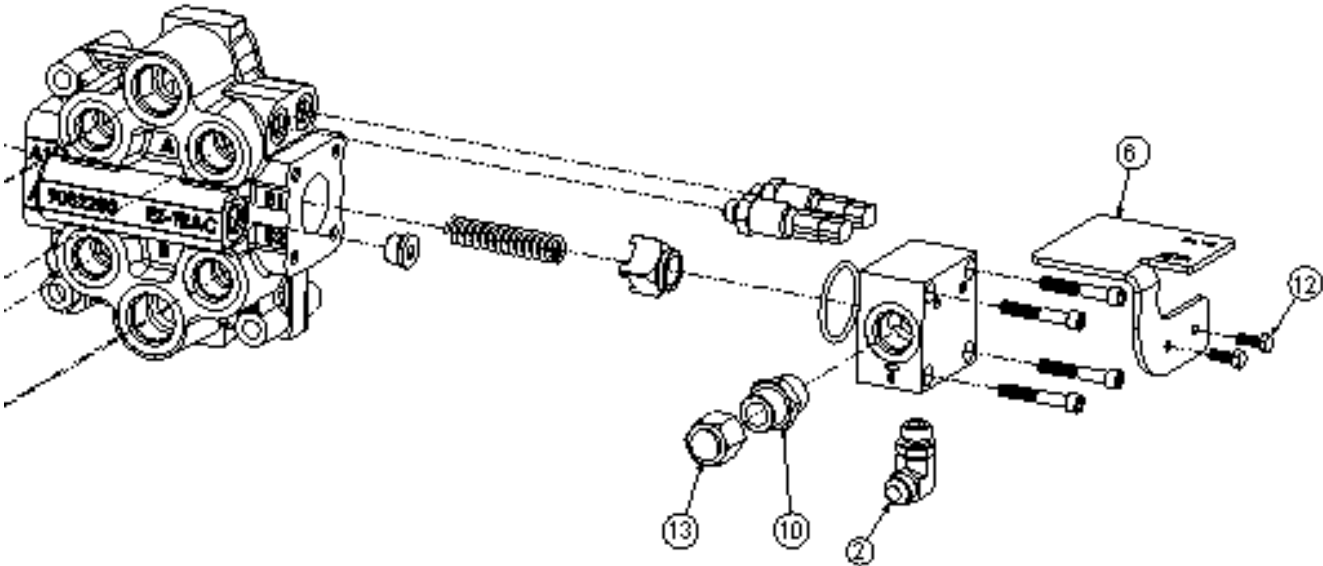


ITEM NO.	QTY.	PART NUMBER	DESCRIPTION
1	1	9022400	Cooler/Fan Combo
2	1	711035-02	1/4 NPT Temp Sensor
3	1	705179-02	Grommet, rubber 1.00 x .0781
4	2	200028-P1	Adapter 1/6 ORB-Mx1/6 JIC-M
5	2	200536	08 ORB/10 ORS Adapter
6	1	9032701	08 ORB-12 JIC adapter
7	2	200224	Adapter, 08 ORB-M x 10 JIC-M
8	1	9082701	Fittings Kit, Cooler 90 Degree Fittings
9	1	K600296	Hyd Components Kit, EZ Trac W/Mode Switch
10	1	9114002	IHCP Wire Harness W/Mode Switch
11	1	150495	Bolt Kit, Relay Mounting
12	1	9021200	EZ Trac Standoff Kit VF300
13	1	9132400	Compact Cooler Heat Exchanger
14	1	9132401	Compact Cooler Fan Assembly
15	1	9132402	Compact Cooler Level Switch
16	1	9132403	Compact Cooler Sight Gage
17	1	9132404	Compact Cooler Filter Element
18	1	9132405	Compact Cooler Filter Cap with O-ring
19	1	9132406	Compact Cooler Small Suction Screen
20	1	9132407	Compact Cooler Breather Assembly

EXPLODED EZ TRAC VALVE (9012201)



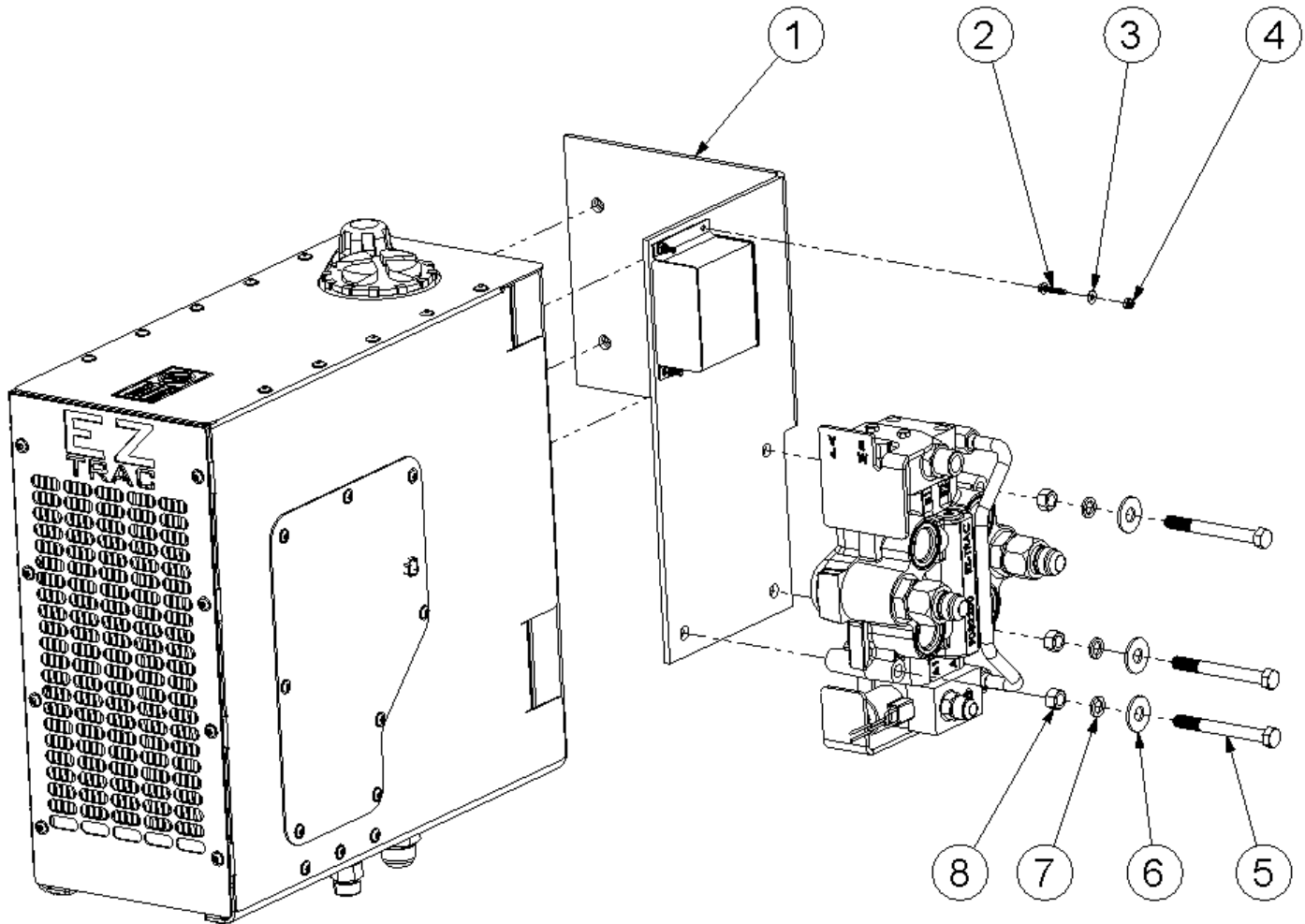
EXPLODED EZ TRAC VALVE (9012201) CONTINUED



EXPLODED EZ TRAC VALVE (9012201) CONTINUED

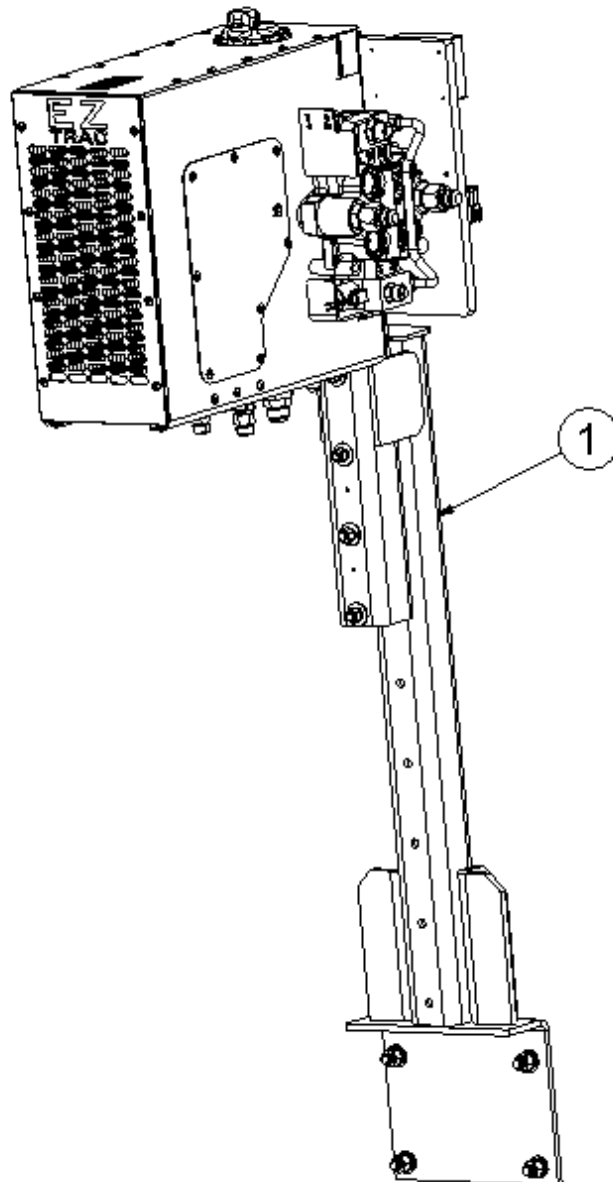
ITEM	PART NUMBER	DESCRIPTION	QTY.
1	105783	Solenoid Valve, 3 Way 10 Port 12V	1
2	208089-P1	90° ELBOW-08 ORBM X 08 JIC-M	2
3	200224	Adapter, 08 ORB-M x 10 JIC-M	1
4	9031301	Guard, Solenoid Coil	1
5	212121-P1	ADAPTER 12 ORB-M x 12 JIC-M	2
6	9031302	Guard, Transducer	1
7	200251	Adapter 12ORB/12ORS	2
8	200028-P1	Adapter 16 ORB-Mx16 JIC-M	2
9	200539	16 JIC F x 12 JIC M Reducer	2
10	200381	12 ORB x 10 ORS Adapter	1
11	9032205	Tube Asm, Pilot Valve Drain	1
12	708921-01	HHB 1/4-20x.75 Gr.8	4
13	200384	Cap, -10 ORS	1
14	700326-01	Cap, 10 JIC-F (Steel)	1
15	200113-P1	Steel Cap 12 JIC-F	4
16	200252	CAP, -12 ORS	2
17	9034500	2 Pin Recepticle DT (Grey)	1
18	9034501	2 Pin Wedge Lock DT	1
19	9034502	16 Series Pin	2
20	5372	SPLIT CONVOLUTED SLEEVING 1/4	6

EXPLODED 90 DEGREE MOUNTING ASSEMBLY (9012410)



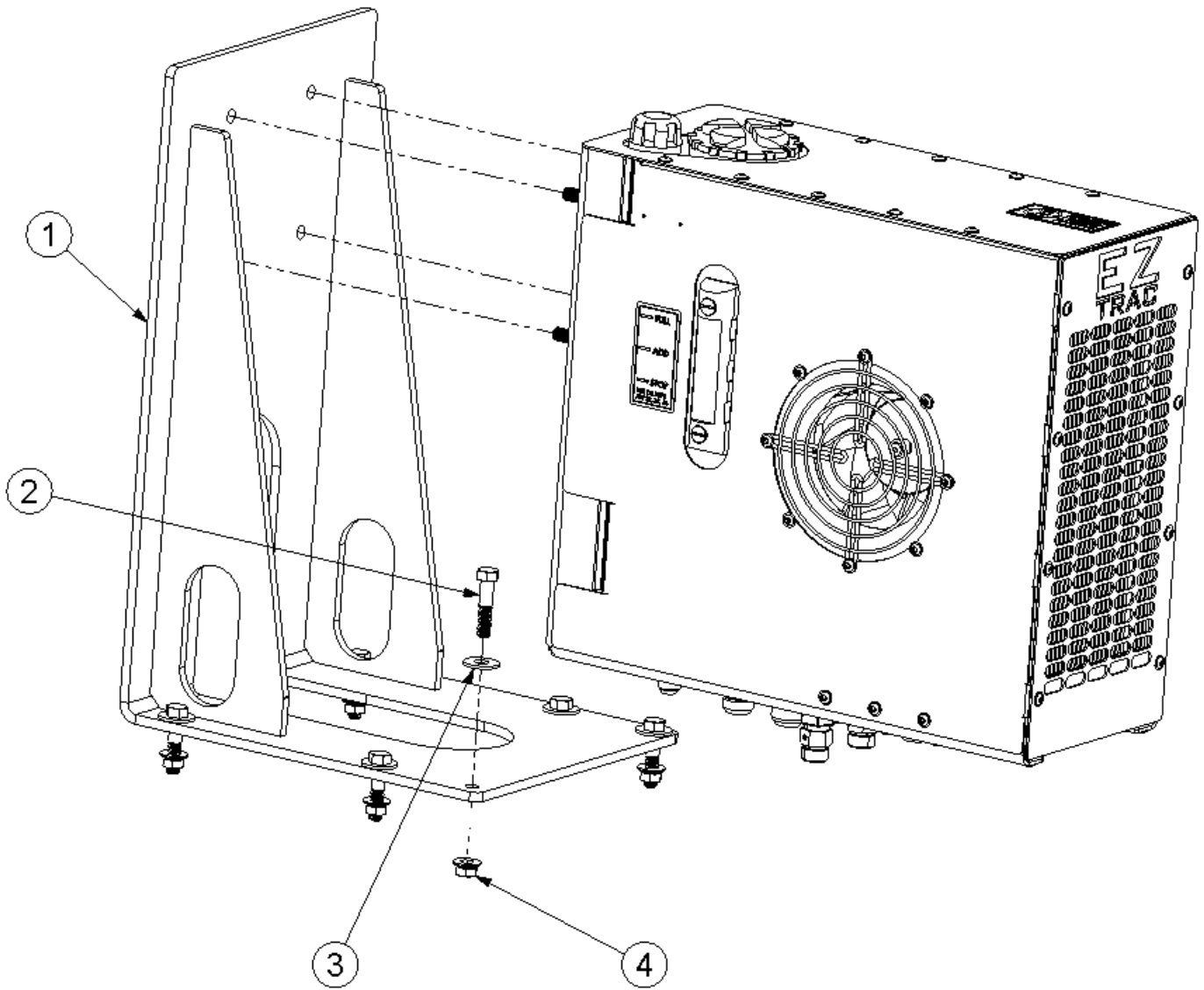
ITEM NO.	QTY.	PART NUMBER	DESCRIPTION
1	1	9031144	COMPACT 90 DEGREE MOUNTING BRACKET
2	4	708927-01	10-32 x 1.00 HWHMS Steel, ZC
3	4	8120391	FW .219 x .500 x .049
4	4	710037-01	LN 10-32, Gr. 5
5	3	700137-09	HHB M12-1.75X110 10.9 Zn
6	3	701682-04	HFW 1/2 .562 x 1.375 x .109 Gr8 Zn
7	3	106491	SLW M12 ZC
8	3	703435-01	HN M12x1.75 CL10 ZN

BACK OF CAB MOUNTING ASSEMBLY (9012420)



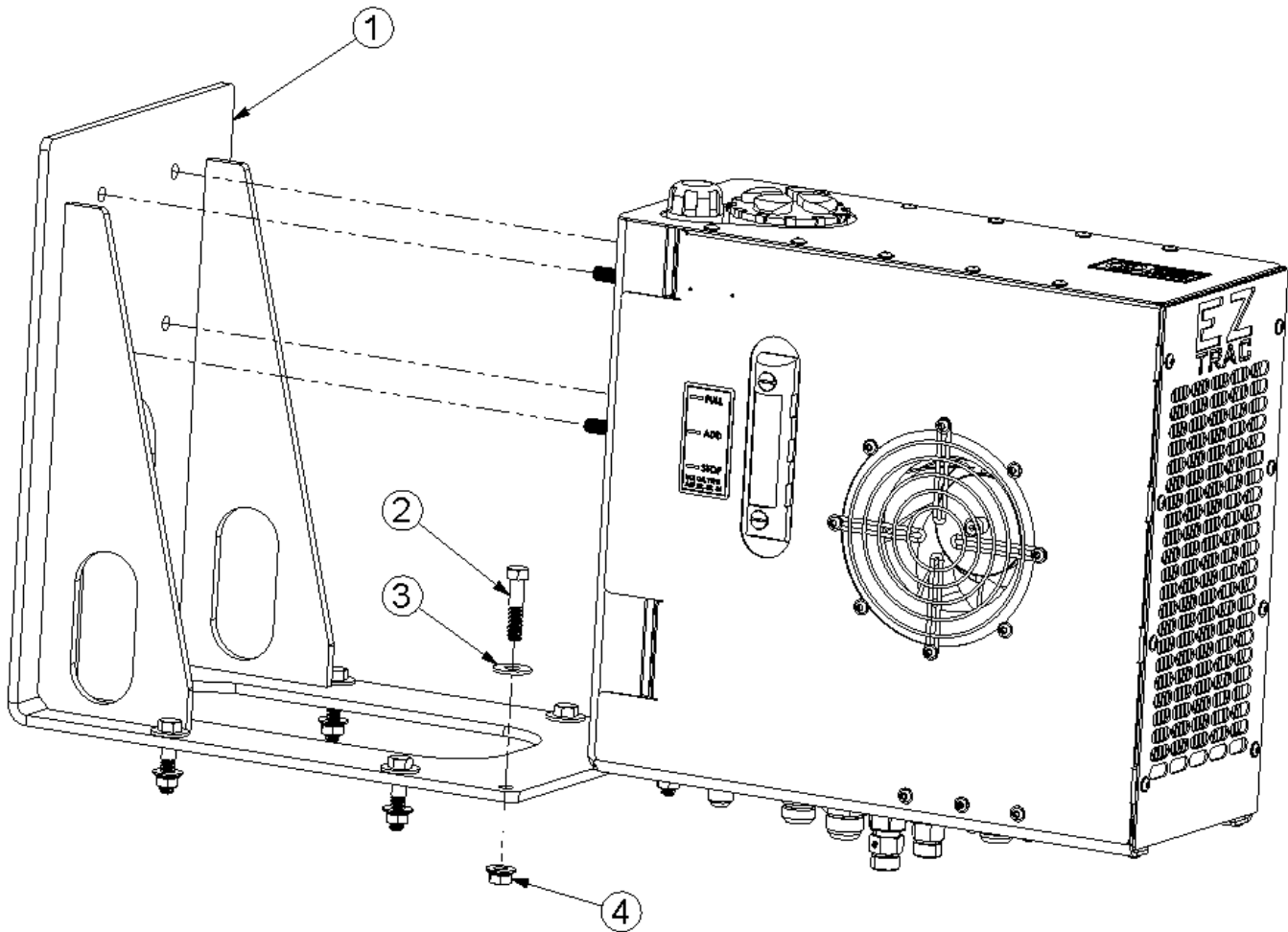
ITEM NO.	QTY.	PART NUMBER	DESCRIPTION
1	1	9011104	COMPACT BACK OF CAB MOUNT
2	1	9081202	Bolt Kit, EZ Trac Back of Cab Mount

EXPLODED FOOT MOUNT BRACKET ASSEMBLY (9012430)



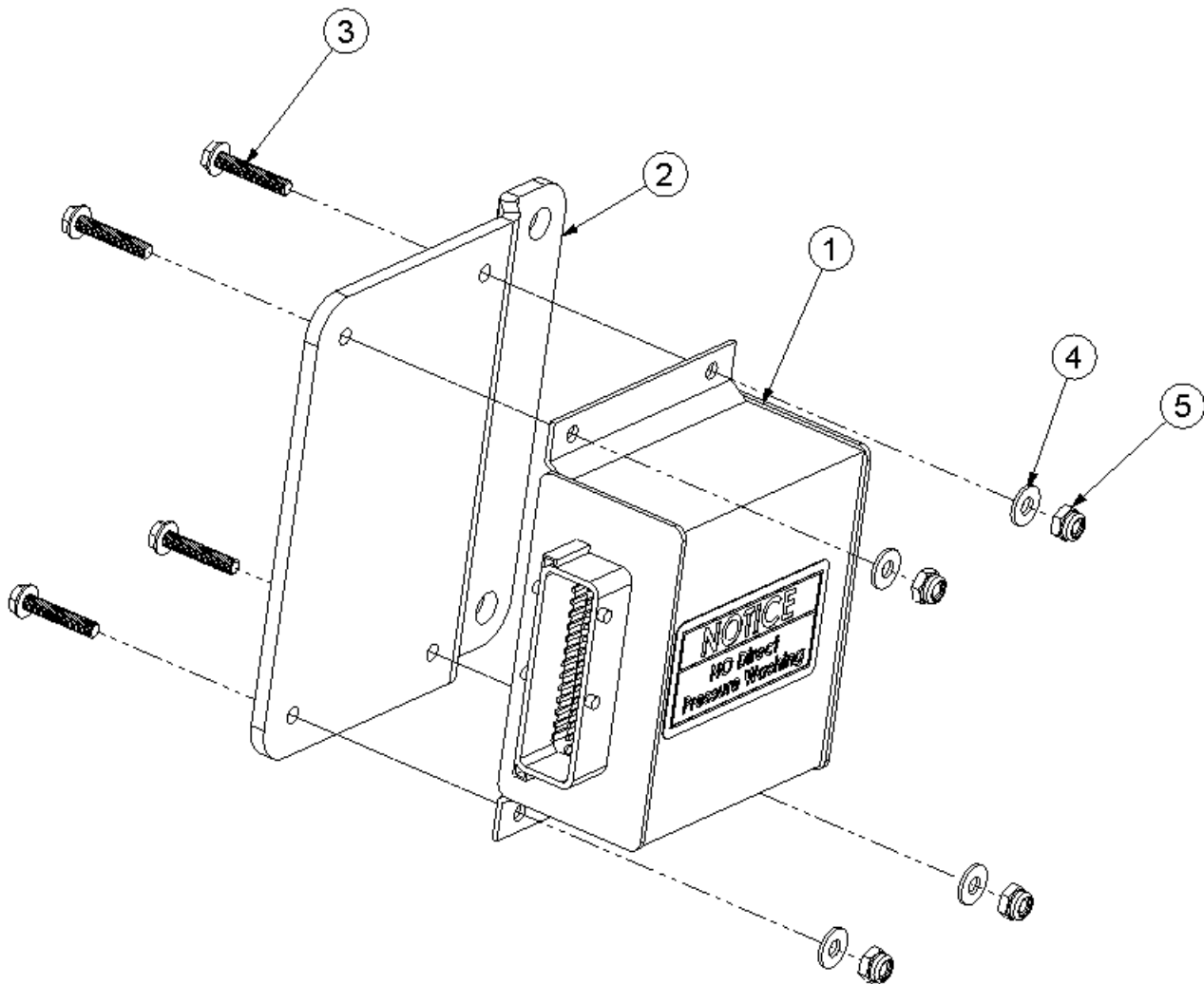
ITEM NO.	QTY.	PART NUMBER	DESCRIPTION
1	1	9011106	Compact Cooler Foot Mount Bracket
2	6	710322-01	HHB 1/2-13 x 2 1/4, Gr. 8, ZY
3	6	701682-04	HFW 1/2 .562 x 1.375 x .109 Gr8 Zn
4	6	308	LFN 1/2-13, GR. G ZN

LOW PROFILE FOOT MOUNT BRACKET ASSEMBLY (9012431)



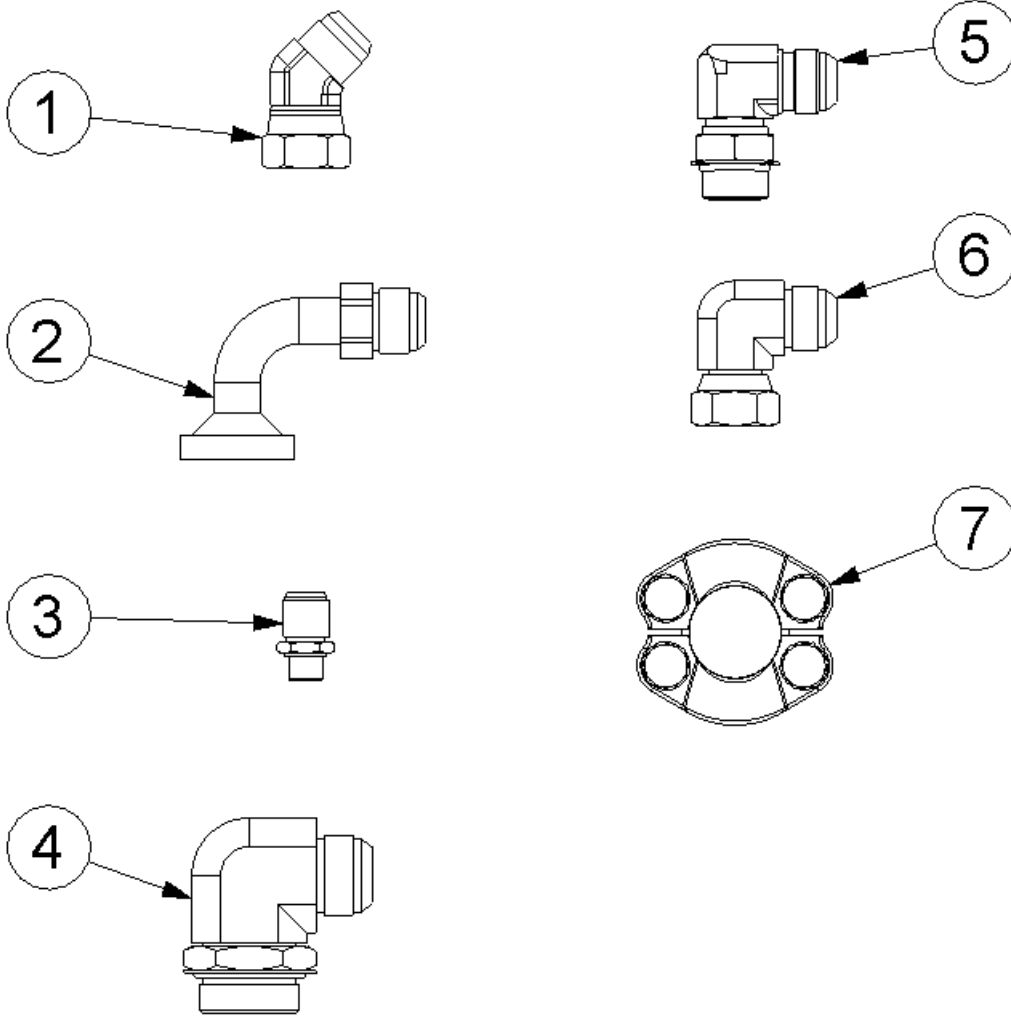
ITEM NO.	QTY.	PART NUMBER	DESCRIPTION
1	1	9011108	Compact Cooler Foot Mount Bracket
2	6	710322-01	HHB 1/2-13 x 2 1/4, Gr. 8, ZY
3	6	701682-04	HFW 1/2 .562 x 1.375 x .109 Gr8 Zn
4	6	308	LFN 1/2-13, GR. G ZN

SMART DRIVE COMPONENTS



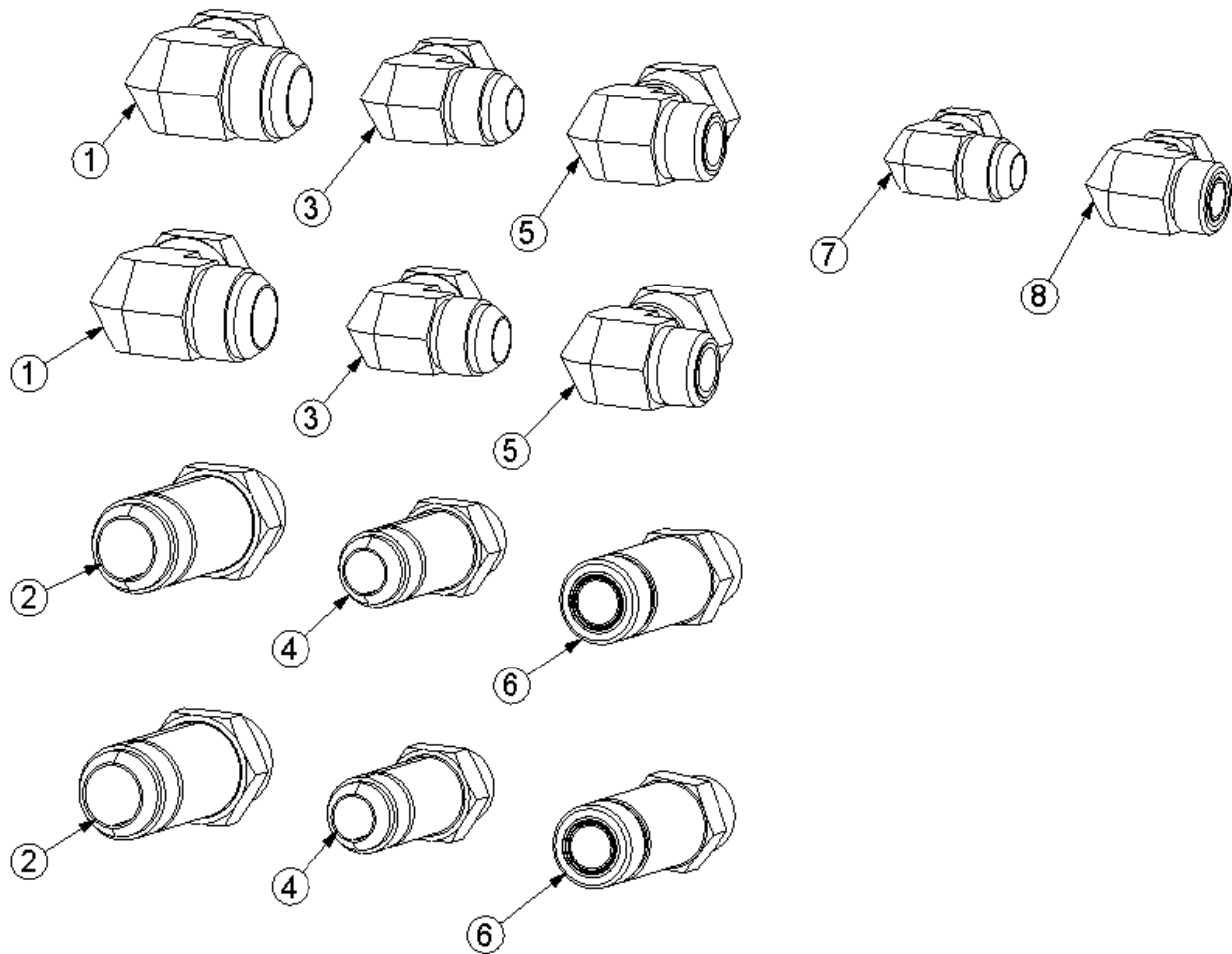
ITEM NO.	QTY.	PART NUMBER	DESCRIPTION
1	1	708818-01	Smart Drive Easy Controller
2	1	9531106	Smart Drive Bracket
3	4	708927-01	10-32 x 1.00 HWHMS Steel, ZC
4	4	8120391	FW .219 x .500 x .049
5	4	710037-01	LN 10-32, Gr. 5
6	1	9039002	Notice No Washing Label

HYDRAULICS COMPONENTS KIT (K600296)



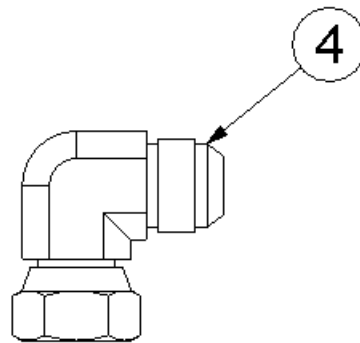
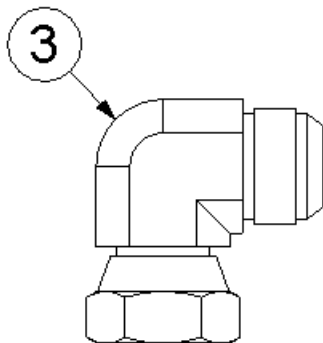
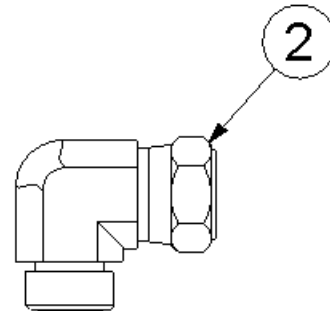
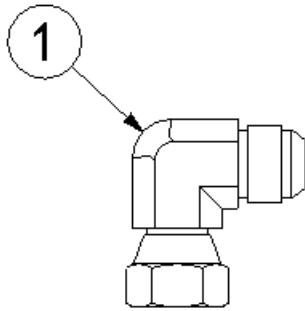
ITEM NO.	QTY.	PART NUMBER	DESCRIPTION
1	1	200013-P1	45 DEG ELBOW, 12 JIC-FS x 12 JIC-M
2	2	709774-01	90 Elbow, 1" Code 62, 12 JIC-M
3	1	200083-P1	06 ORB-M X 08 JIC-M X 12 JIC-M
4	1	709775-01	90 Elbow, 20 ORB X 16 JIC-M
5	1	212129-P1	90 dg Elbow 12 ORB-M x 12 JIC-M
6	1	212149-P1	90 Elbow, 12 JIC-FS X 12 JIC-M
7	2	709772-02	1" Code 62 Flange Kit M12 HHB Bolts

FREEWHEEL VALVE FITTING KIT (9082700)



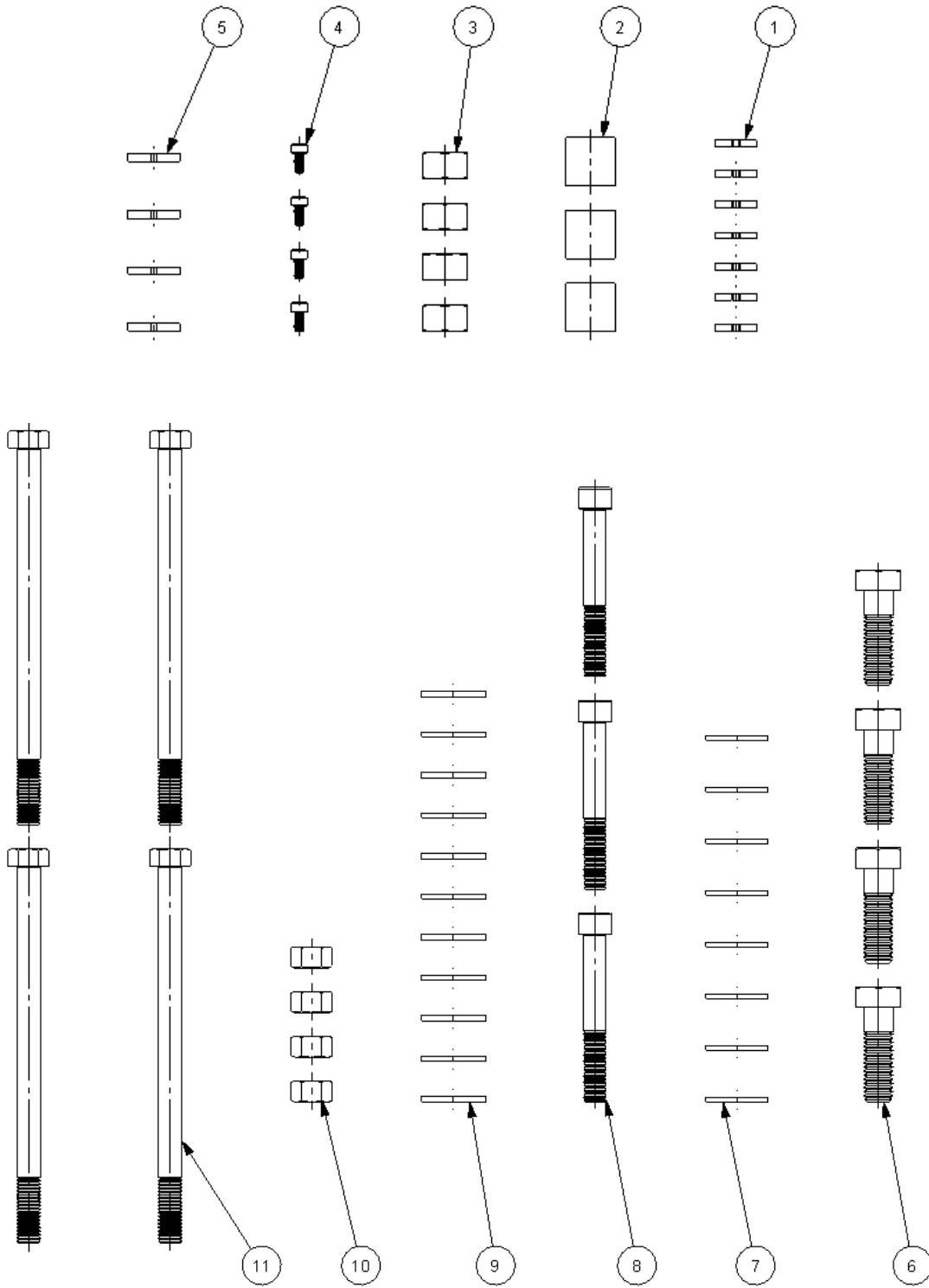
ITEM NO.	PART NUMBER	DESCRIPTION	QTY.
1	200030-P1	Elbow 90 deg 16 JIC-M x 16 JIC-FS	2
2	200538	16 ORB x 16 JIC M Adapter, Long	2
3	212149-P1	90 Elbow, 12 JIC-FS X 12 JIC-M	2
4	200272	12 ORB x 12 JIC M Adapter, Long	2
5	705727-01	90 Elbow, 12 ORS-FS, 12 ORS-M	2
6	200379	12 ORB x 12 ORS M Adapter, Long	2
7	200342	90 Elbow, 10 JIC-FS X 10 JIC-M	1
8	200387	10 ORS-F X 10 ORS-M 90 Elbow	1

COMPACT COOLER 90 DEGREE FITTING KIT(9082701)



ITEM NO.	QTY.	PART NUMBER	DESCRIPTION
1	1	200342	90 Elbow, 10 JIC-FS X 10 JIC-M
2	1	200387	10 ORS-F X 10 ORS-M 90 Elbow
3	1	200030-P1	Elbow 90 deg 16 JIC-M x 16 JIC-FS
4	1	212149-P1	90 Elbow, 12 JIC-FS X 12 JIC-M

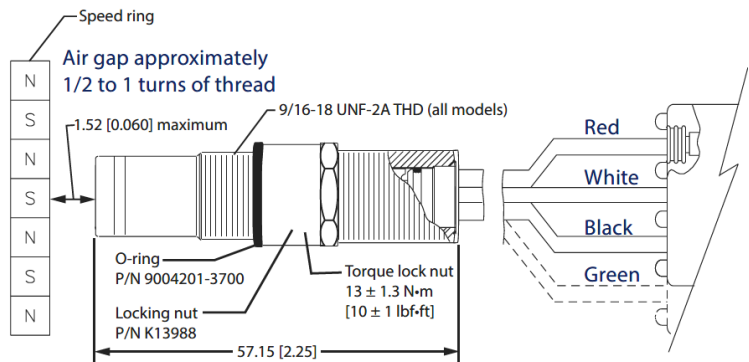
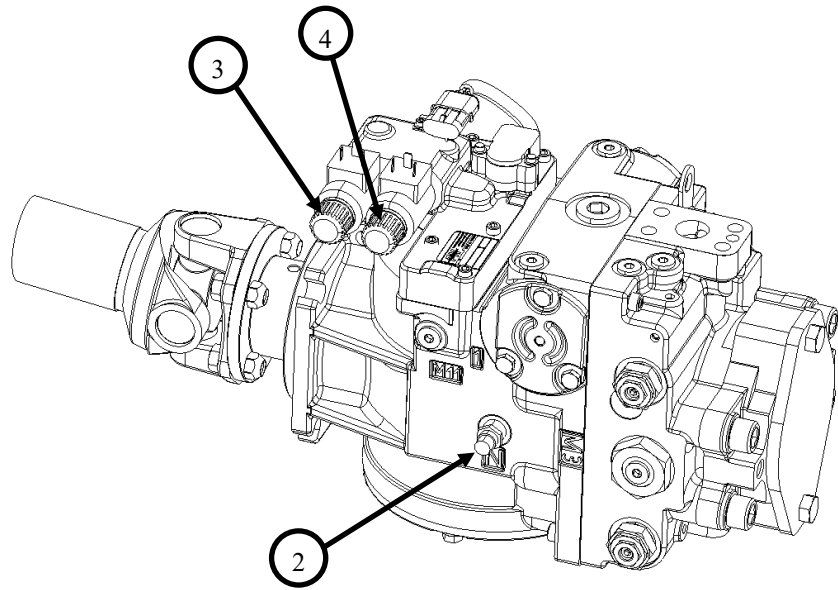
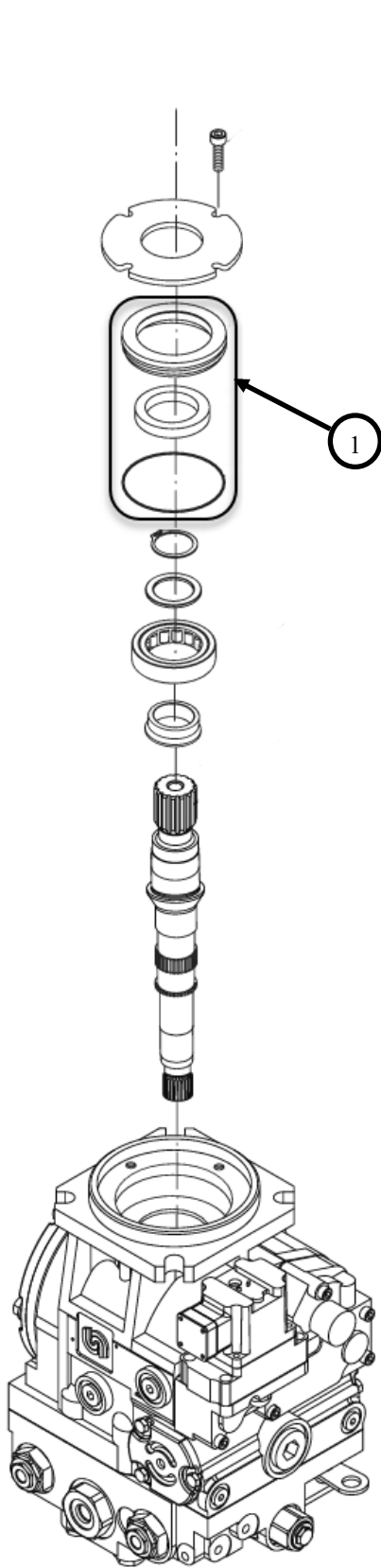
COMPACT COOLER BACK OF CAB MOUNT BOLT KIT (9081202)



COMPACT COOLER BACK OF CAB MOUNT BOLT KIT (9081202)CONTINUED

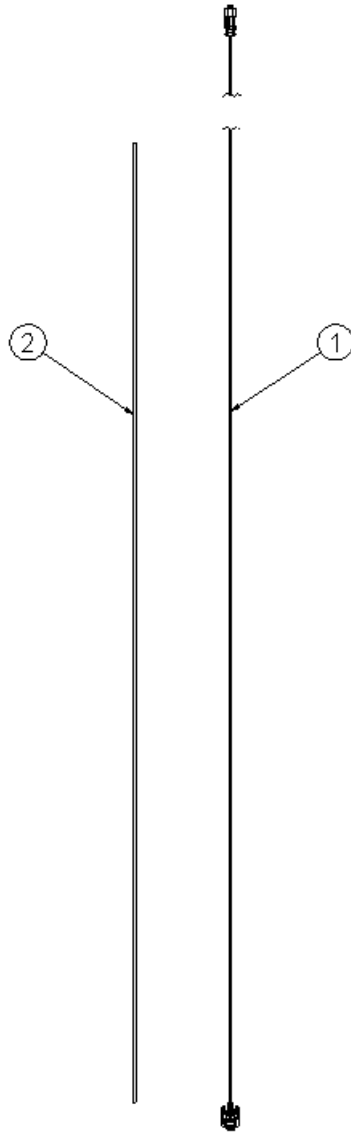
ITEM NO.	QTY.	PART NUMBER	DESCRIPTION
1	7	8120384	SLW 1/2 .523x.873x.135
2	3	107879	SPACER 1/2 I.D .x 1" O.D .x 1" LONG Zn
3	4	89418754	N 5/8-11 GR. 8 ZY
4	4	107582-02	SHCS M5-.08x10 12.9 Magni 565
5	4	107837	SLW 5/8 .651x1.079x.166
6	4	8223513	HHB 5/8-11 x 2, Gr. 8, ZY
7	8	89422850	HFW 5/8 .656x1.31x.095, ZY
8	3	708574-01	M12-1.75 X 90 SHCS CL 12.9 Magni 565
9	11	701682-04	HFW 1/2 .562 x 1.375 x .109 Gr8 Zn
10	4	107836	N 1/2-13 Gr8 Zn
11	4	710322-02	HHB 1/2-13 X 8" Gr8 Zn

P90 PUMP / RPM SENSOR



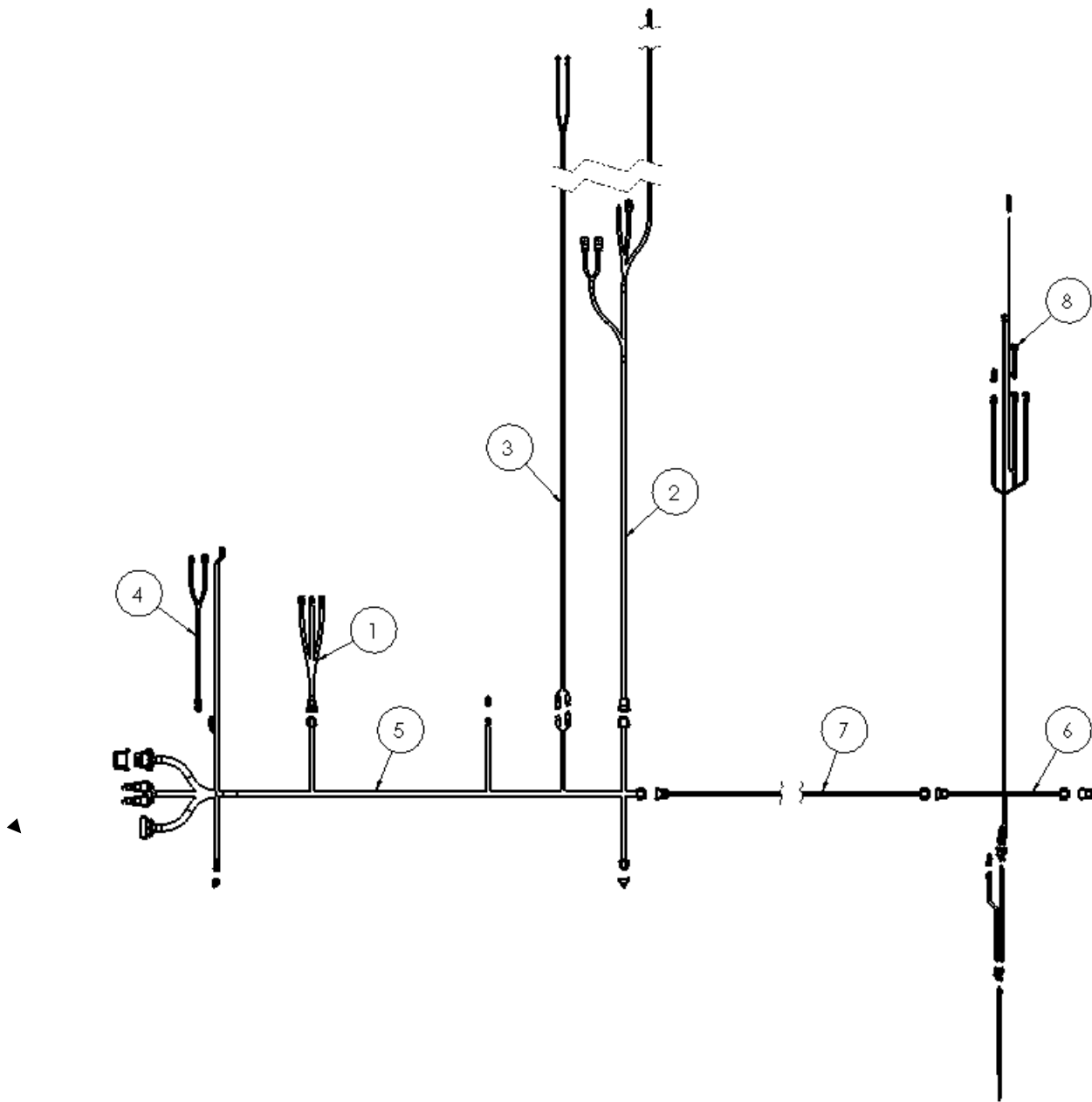
ITEM NO.	QTY.	PART NUMBER	DESCRIPTION
1	1	9012900	100 cc Pump Seal Carrier Assembly
2	1	710136-01	Speed Sensor, P90 Pump
3	1	9022000	P90 Solenoid Coil
4	1	9022001	P90 Feedback Sensor

EZ TRAC COMPUTER CABLE AND ADAPTER KIT (9084101)



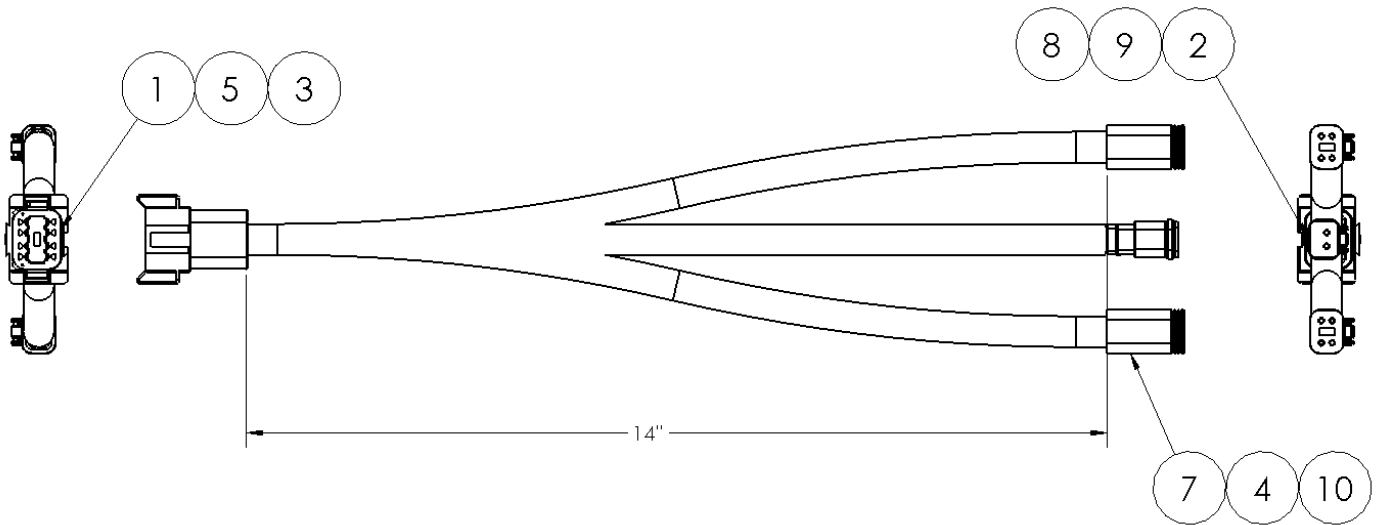
ITEM NO.	QTY.	PART NUMBER	DESCRIPTION
1	1	9024020	Adapter, 14 Pin to 3 Pin Comm Connector
2	1	9024016	Serial Cable Adapter to USB 2.0 (3-6' Long)

IHCP WIRE HARNESS ASSEMBLY W/MODE SWITCH (9114002)



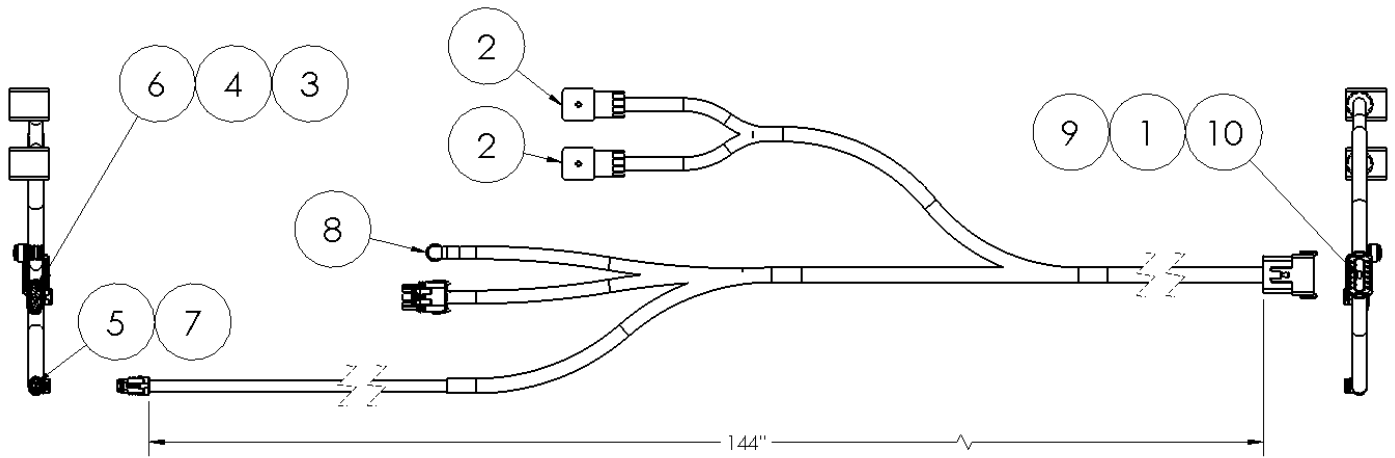
ITEM NO.	QTY.	PART NUMBER	DESCRIPTION
1	1	9024018	IHCP TDS Valve Leg
2	1	9024003	Pump Control Leg
3	1	9024004	12 Volt Battery Leg
4	1	9024005	Temp Level Leg
5	1	9024012	Main Backbone W/Mode Switch
6	1	9024013	Cab Leg W/Display and Mode Switch
7	1	9024014	Cab Leg Extension
8	1	9024300	EZ Trac Switch Assembly

IHCP TDS VALVE LEG (9024018)



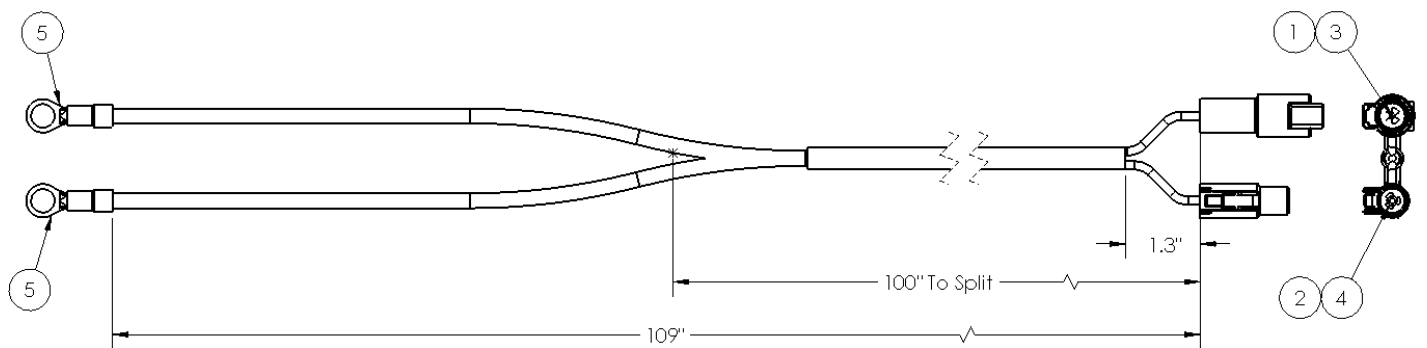
ITEM NO.	QTY.	PART NUMBER	DESCRIPTION
1	1	DT04-08PA	8 Pin Receptical A Key DT
2	1	DT06-2S	2 PIN PLUG DT (GREY)
3	8	0460-202-16141	16 SERIES PIN
4	8	0462-201-16141	16 SERIES SOCKET
5	1	W8P	8 PIN WEDGE DT
6	1	W2S	2 Pin Wedge Lock, Deustch
7	2	DT06-4S	4 Pin Plug DT
10	2	W4S	4 Pin Wedge Lock, Deutsch

PUMP CONTROL LEG (9024003)



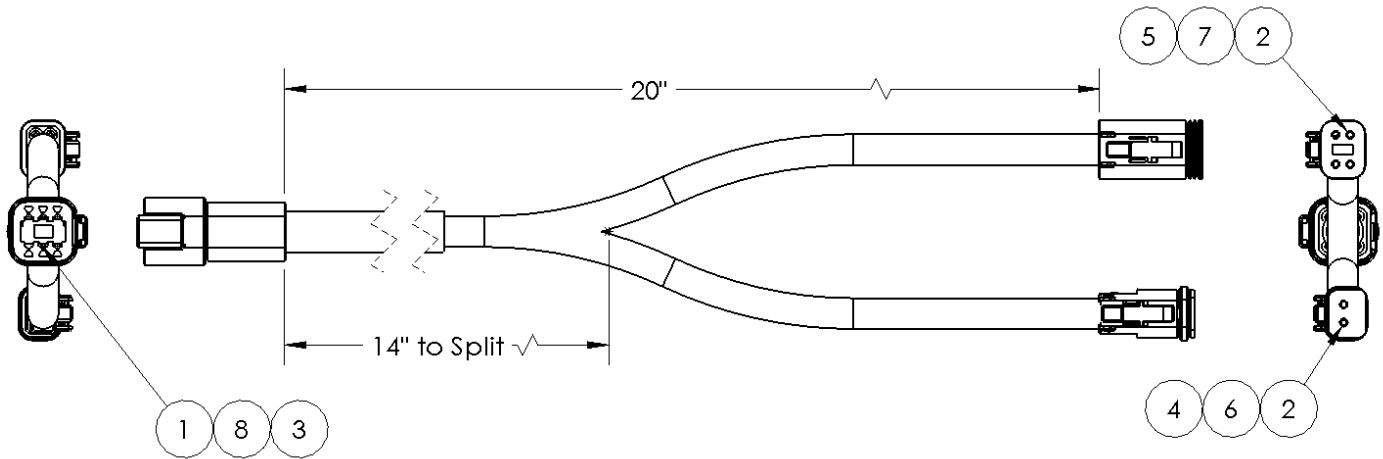
ITEM NO.	QTY.	PART NUMBER	DESCRIPTION
1	12	0460-202-16141	16 SERIES PIN
2	2	43650-DIN	Solenoid Valve Size (A) Connector W/Gasket
3	3	12015323	Seal, 20-12 ga (Weatherpack #12015323)
4	1	12015793	3-Pin Weather Pack Tower
5	2	12048074-L	Metri-Pack 150 Series Female Socket
6	3	12089188	Socket (Weatherpack 20-18 Ga Wire)
7	1	12162197	Delphi 2 Way Medium Gray Metri-Pack 150.2
8	1	WK 4.4T-2.0	Turck M12 Eurofast, 4 Wire, A Key
9	1	DT04-12PA-C015	12 Pin Receptical, A Key DT
10	1	W12P	12 Pin Wedge

12 VOLT BATTERY LEG (9024004)



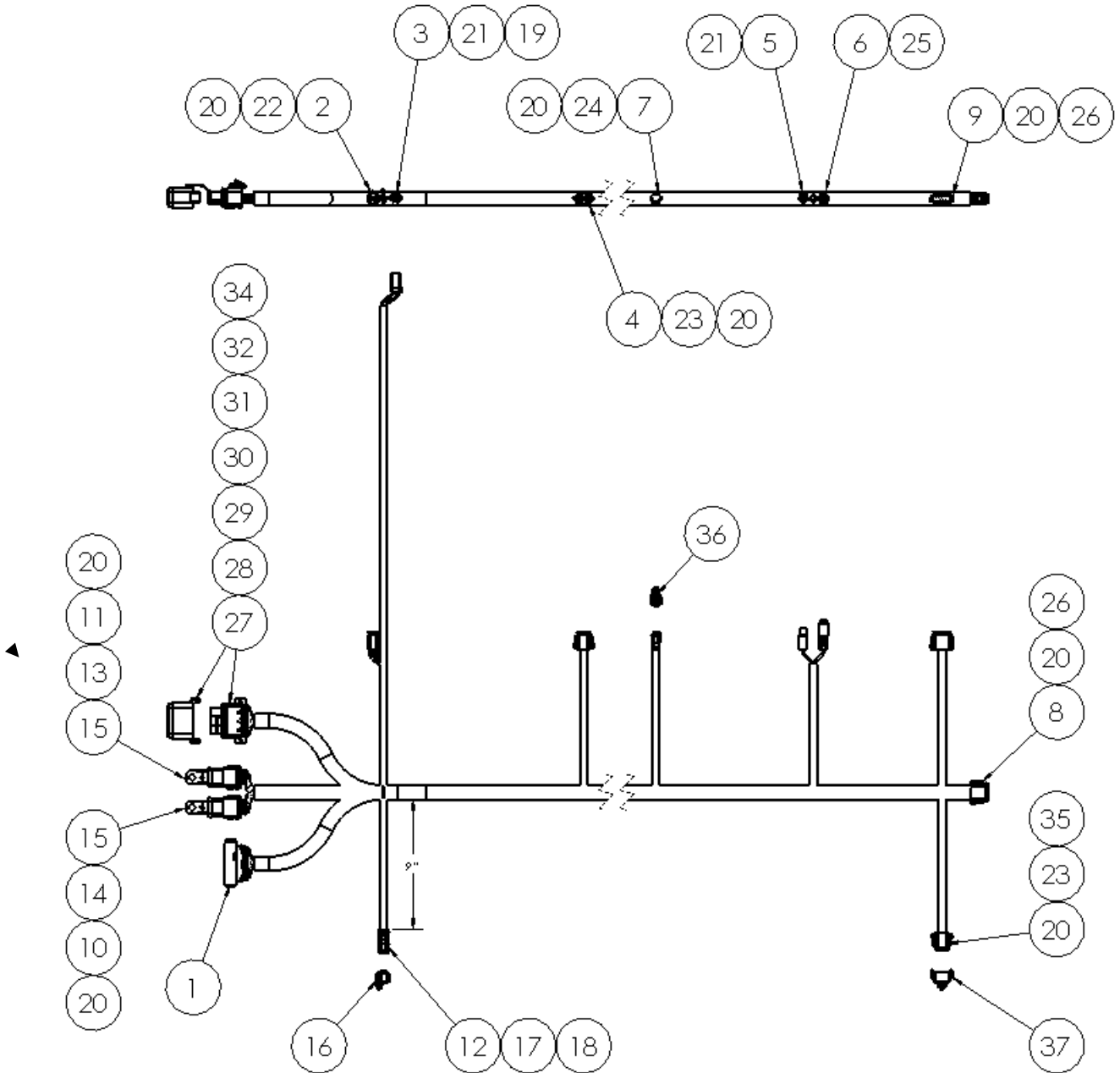
ITEM NO.	QTY.	PART NUMBER	DESCRIPTION
1	1	DTHD04-1-12P	DTHD Series 12
2	1	DTHD06-1-12S	DTHD Series 12
3	1	1060-12-0222	Pin, 12 Series (Reel)
4	1	1062-12-0222	Socket, 12 Series (Reel)
5	2	10-12 Ga Ring	Ring, Heavy Duty, 3/8 Stud Size

TEMP LEVEL SWITCH LEG (9024005)



ITEM NO.	QTY.	PART NUMBER	DESCRIPTION
1	5	0460-202-16141	16 SERIES PIN
2	5	0462-201-16141	16 SERIES SOCKET
3	1	DT04-6P	6 Pin Receptacle, DT Series
4	1	DT06-2S	2 PIN PLUG DT (GREY)
5	1	DT06-4S	4 Pin Plug DT
6	1	W2S	2 Pin Wedge Lock, Deutsch
7	1	W4S	4 Pin Wedge Lock, Deutsch
8	1	W6P	6 Pin Wedge Lock, Deutsch

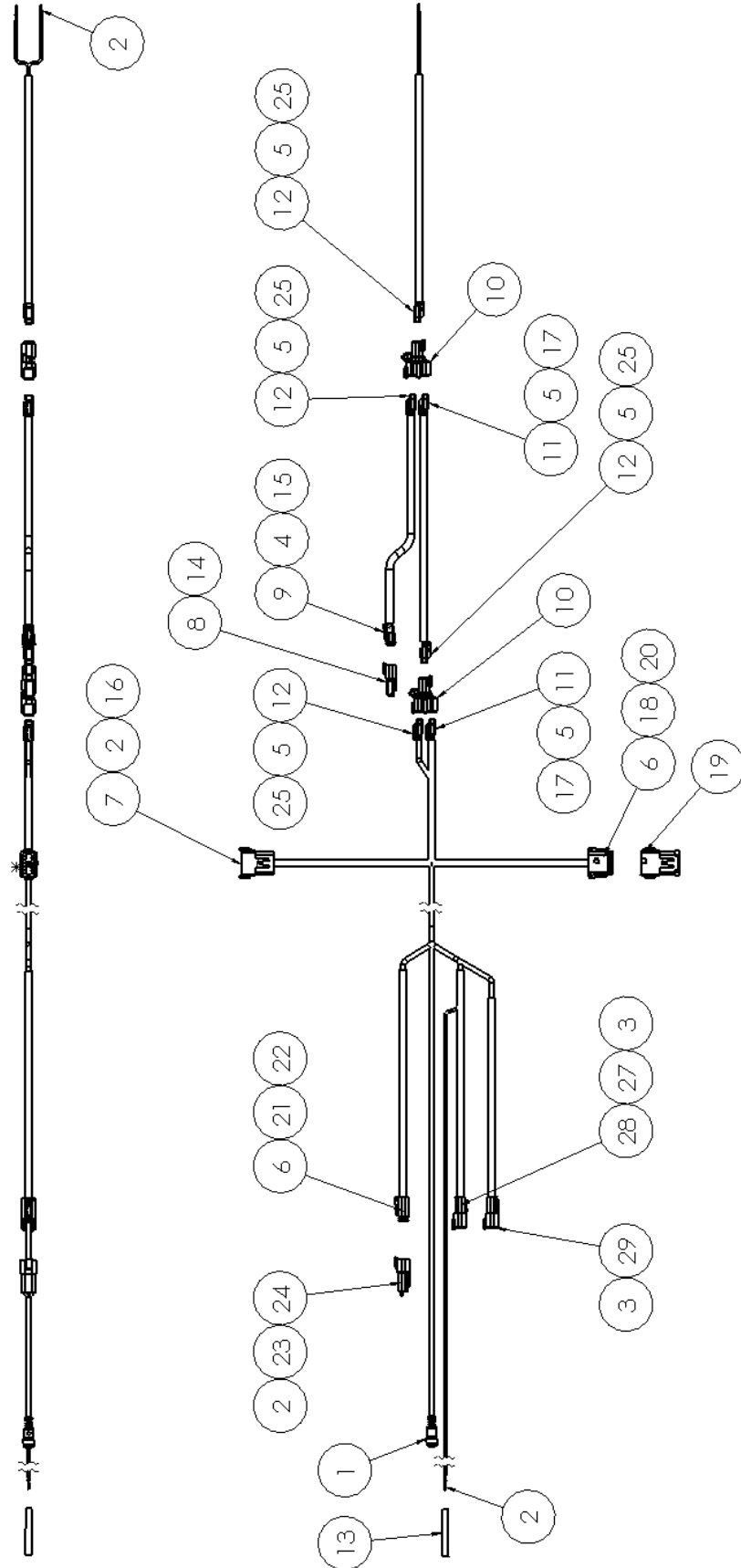
MAIN BACKBONE W/MODE SWITCH (9024012)



MAIN BACKBONE W/MODE SWITCH (9024012) CONTINUED

ITEM NO.	QTY.	PART NUMBER	DESCRIPTION
1	1	1-967281-1	Timer Connector (Tyco Electronics)
2	1	DT06-6S	6 Pin Plug, DT
3	1	DTP06-2S	2 Pin, Plug, DTP SERIES
4	1	DT06-08SA	8 Pin Plug, DT Key A
5	1	DTHD06-1-12S	DTHD Series 12
6	1	DTHD04-1-12P	DTHD Series 12
7	1	DT06-2S	2 PIN PLUG DT (GREY)
8	1	DT06-12SC-C015	12 Socket Plug, DT Series, Key C
9	1	DT06-12SA-C015	12 Pin Plug DT Series Key A
10	1	DT06-12SB-P012	12 Socket Plug, DT Series, Key B
11	1	DT06-12SA-P012	12 Pin Plug, DT Series, Key A
12	1	DT06-3S-EP11	3 Pin Plug, DT Series
13	1	DT04-12PB-P021	12 Pin Buss, DT Series Receptacle, Key B
14	1	DT04-12PA-P026	12 Pin Buss, DT Series Receptacle, Key A
15	2	1027-003-1 200	MOUNTING CLIP, W/ .433 OD HOLE
16	1	1011-345-0305	Deutsch DT Series, 3 Socket Cap
17	1	W3S-1939	Deutsch 3 Socket Wedge
18	3	0462-201-1 631	16 SERIES SOCKET (GOLD)
19	1	WP-2S	2 Pin Wedge Series P
20	58	0462-201-1 61 41	16 SERIES SOCKET
21	3	0462-203-1 21 41	Socket, 12 Series
22	1	W6S	6 Pin Wedgelock
23	2	W8S	8 Pin Wedge Lock, Deutsch
24	1	W2S	2 Pin Wedge Lock, Deutsch
25	1	0460-204-1 21 41	Pin, 12 Series
26	2	W12S	Wedge, 12 Socket
27	1	PDM31 001 ZXM	HWB18 Sealed Distribution Module(Littelfuse)
28	8	12129493	12 Ga. Terminal F Metri-Pack 280
29	1	Fuse, 20 Amp	20 Amp Fuse, Mini
30	1	Fuse, 25 Amp	25 Amp Fuse, Mini
31	8	12077411	16 Ga. Terminal F Metri-Pack 280
32	2	1201 0300	Cable Plug
33	16	1201 5323	Seal, 20-12 ga (Weatherpack #1 201 5323)
34	3	303-1AH-C-R1 U01	20 Amp Relay, Mini, 12 VDC
35	1	DT06-08SD	8 Pin Plug, DT Series, Key D
36	1	1011-344-0205	Cap, 2 Pin
37	1	1011-348-0805	Connector Cap, 8 Pin

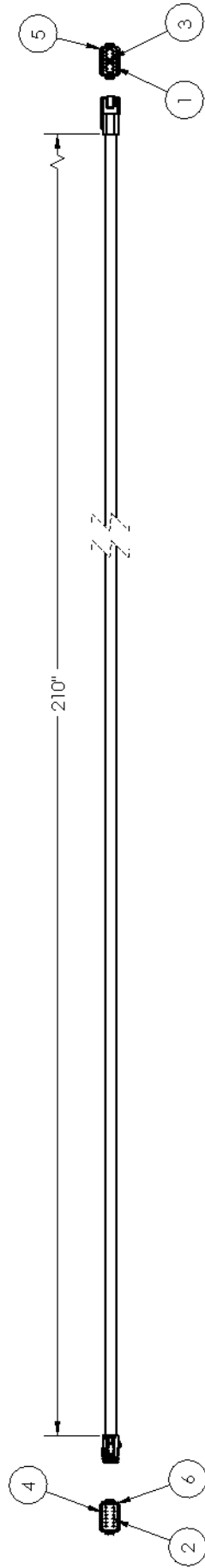
CAB LEG W/DISPLAY AND MODE SWITCH (9024013)



CAB LEG W/DISPLAY AND MODE SWITCH (9024013) CONTINUED

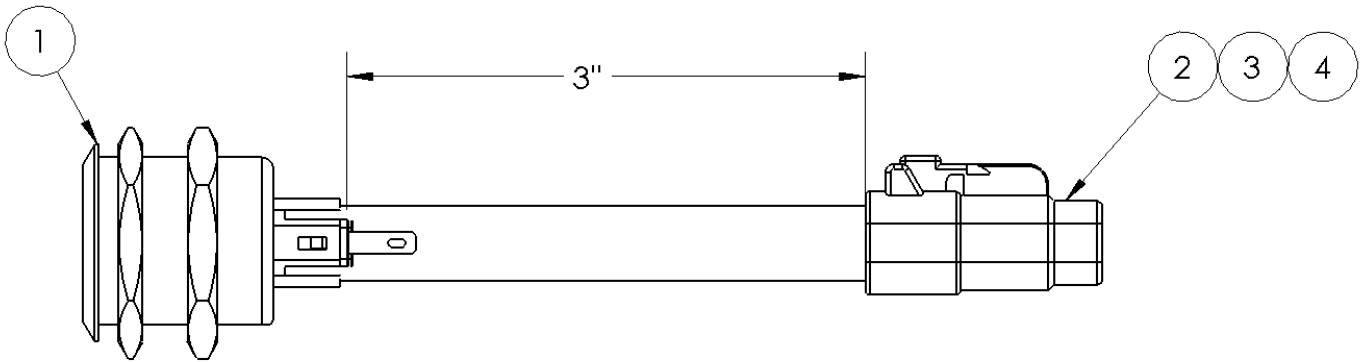
ITEM NO.	QTY.	PART NUMBER	DESCRIPTION
1	1	79-3440-12-05	M12 DISPLAY CONNECTOR
2	15	0460-202-16141	16 SERIES PIN
3	8	0460-202-20141	DTM Mini Pin
4	2	0462-201-1631	16 SERIES SOCKET (GOLD)
5	12	0462-201-2031	DTM SOCKET (GOLD) 20 Ga
6	14	0462-201-16141	16 SERIES SOCKET
7	1	DT04-12PB	Receptacle, DT Series 12 Pin, Keyed B
8	1	DT04-2P	2 PIN RECEPTICAL DT (GREY)
9	1	DT06-2S	2 PIN PLUG DT (GREY)
10	2	DTM04-2P-P007	CAN TEE DTM
11	2	DTM06-2S	2 PIN PLUG DTM (GREY)
12	4	DTM06-2S-E004	2 PIN PLUG DTM (BLACK)
13	1	JS-16-00	Jiffy Splice 16
14	1	W2PB	2 PIN WEDGE B KEY DT
15	1	W2SB	2 PIN WEDGE B KEY DT
16	1	W12P	12 Pin Wedge
17	2	WM-2SA	2 Pin Wedge A Key DTM
18	1	DT06-12SB-P012	12 Socket Plug, DT Series, Key B
19	1	DT04-12PB-P026	12 Pin Receptacle, 6+6 Buss, B Key
20	1	W12S	Wedge, 12 Socket
21	1	DT06-4S	4 Pin Plug DT
22	1	W4S	4 Pin Wedge Lock, Deutsch
23	1	DT04-4P	4 Pin Receptacle, DT Series
24	1	W4P	Wedge, 4 Pin Deutsch
25	4	WM-2SB	2 PIN WEDGE B KEY DTM
27	1	DTM04-4P	4 Pin Receptical DTM (Grey)
28	2	WM-4P	Wedge Mini, 4 Pin
29	1	DTM04-4P-E004	4 Pin Receptical, Deutsch DTM Series

CAB LEG EXTENSION (9024014)



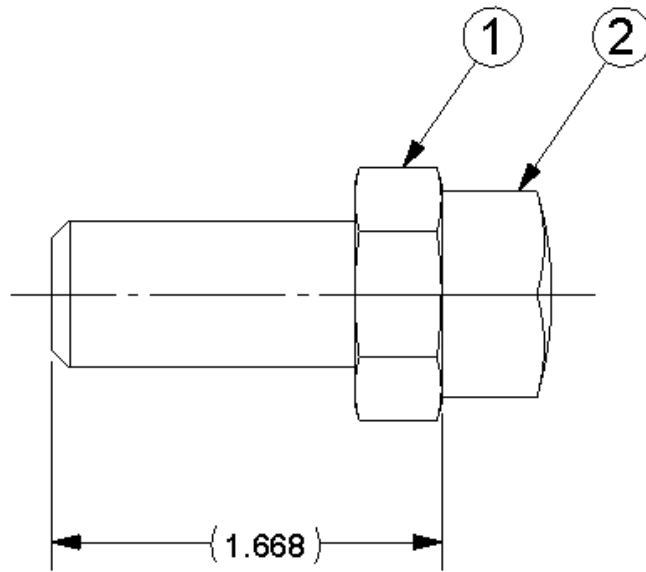
ITEM NO.	QTY.	PART NUMBER	DESCRIPTION
1	12	0460-202-16141	16 SERIES PIN
2	12	0462-201-16141	16 SERIES SOCKET
3	1	W12P	12 Pin Wedge
4	1	W12S	Wedge, 12 Socket
5	1	DT04-12PC-C015	12 Pin Receptacle, DT Series Key C
6	1	DT06-12SB-P012	12 Socket Plug, DT Series, Key B

EZ TRAC SWITCH ASSEMBLY (9024300)



ITEM NO.	QTY.	PART NUMBER	DESCRIPTION
1	1	PV7F2Y0SS-344-M13-2HEX	EZ Trac E-Switch w/ 2 Hex Nuts
2	1	DTM06-4S	4 Pin Mini DTM Plug
3	1	WM-4S	Mini Wedge, 4 Socket
4	4	0462-201-201 41	DTM SOCKET 20 Series

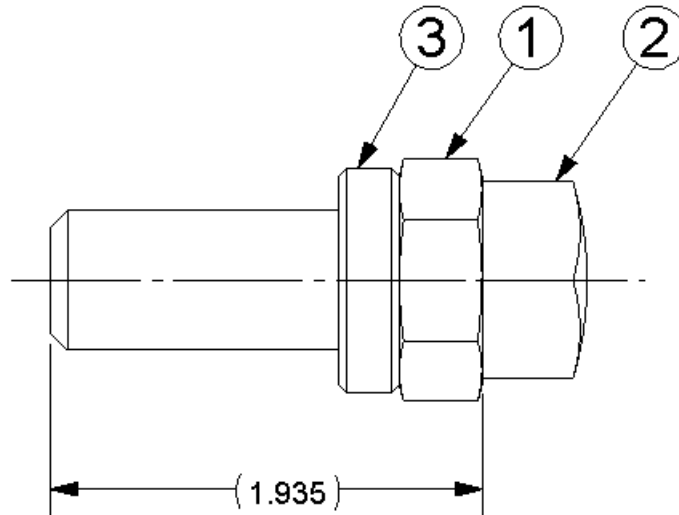
STEER STOP KIT, YELLOW (9080601)



ITEM NO.	PART NUMBER	DESCRIPTION	QTY.
1	100276-P1	JN 5/8 UNC, Gr. 5	1
2	9031211	Bolt, steer stop, 1.668" for YELLOW kit	1

SEE SHEET 47 FOR APPLICATION INFORMATION

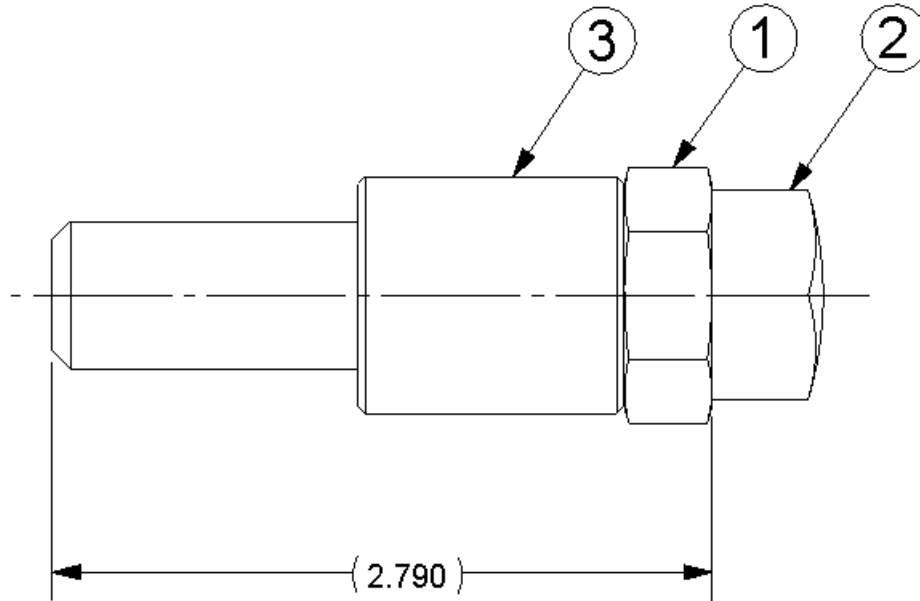
STEER STOP KIT, RED (9080602)



ITEM NO.	PART NUMBER	DESCRIPTION	QTY.
1	100276-P1	JN 5/8 UNC, Gr. 5	1
2	9031212	Bolt, steer stop, 1.935" for RED kit	1
3	9031207	Sleeve, steer stop bolt support, .267" for RED kit	1

SEE SHEET 47 FOR APPLICATION INFORMATION

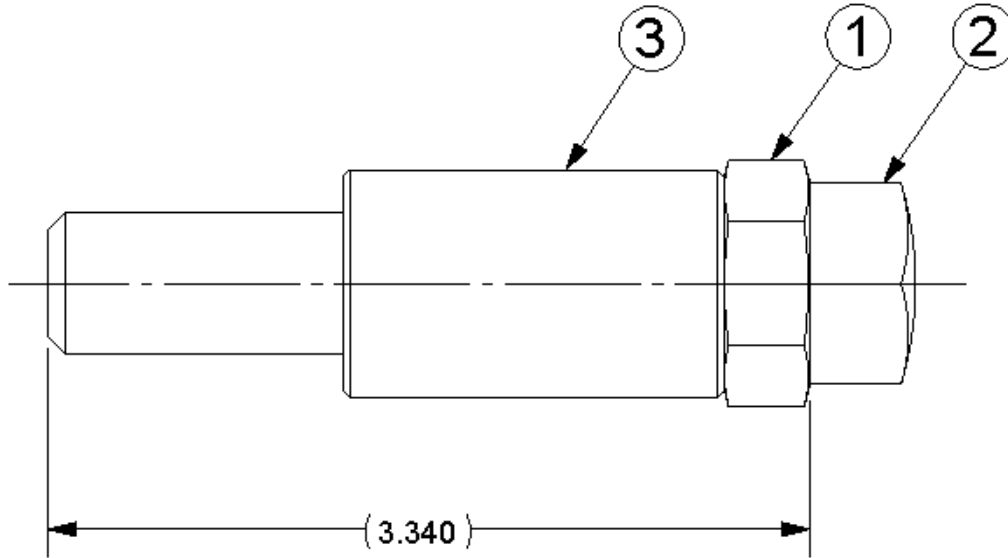
STEER STOP KIT, GRAY (9080603)



ITEM NO.	PART NUMBER	DESCRIPTION	QTY.
1	100276-P1	JN 5/8 UNC, Gr. 5	1
2	9031213	Bolt, steer stop, 2.79" for GRAY kit	1
3	9031208	Sleeve, steer stop bolt support, 1.122" for GRAY kit	1

SEE SHEET 47 FOR APPLICATION INFORMATION

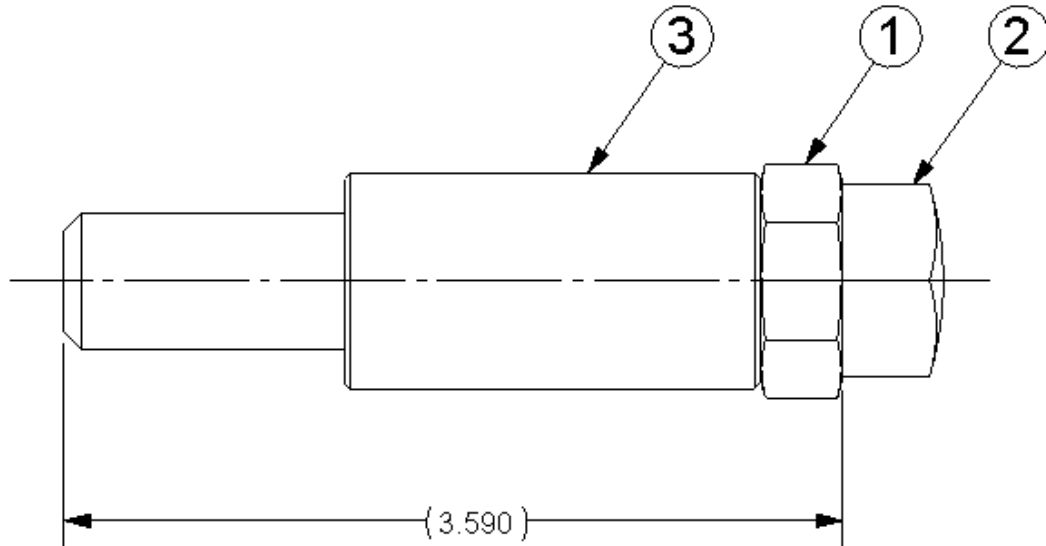
STEER STOP KIT, BLACK (9080604)



ITEM NO.	PART NUMBER	DESCRIPTION	QTY.
1	100276-P1	JN 5/8 UNC, Gr. 5	1
2	9031214	Bolt, steer stop, 3.34" for BLACK kit	1
3	9031209	Sleeve, steer stop bolt support, 1.672" for BLACK kit	1

SEE SHEET 47 FOR APPLICATION INFORMATION

STEER STOP KIT, GREEN (9080605)



ITEM NO.	PART NUMBER	DESCRIPTION	QTY.
1	100276-P1	JN 5/8 UNC, Gr. 5	1
2	9031215	Bolt, steer stop, 3.59" for GREEN kit	1
3	9031210	Sleeve, steer stop bolt support, 1.922" for GREEN kit	1

SEE SHEET 47 FOR APPLICATION INFORMATION

STEER STOP KIT APPLICATION/SELECTION GUIDE (9080600)

9080600	9080601	9080602	9080603	9080604	9080605																																																					
					<p>YELLOW Kit 9080601</p> <p>RED Kit 9080602</p> <p>GRAY Kit 9080603</p> <p>BLACK Kit 9080604</p> <p>GREEN Kit 9080605</p>																																																					
<p>STEER STOP KIT SELECTION and ANGLE RANGE for INSIDE WHEEL</p> <table border="1"> <thead> <tr> <th>AXLE MODELS</th> <th>AXLE descr.</th> <th>Brake</th> <th>Location</th> <th>YELLOW</th> <th>GRAY</th> <th>BLACK</th> <th>GREEN</th> </tr> </thead> <tbody> <tr> <td>ZDD</td> <td>ZFD</td> <td>ZRD</td> <td>71" I200W Forged</td> <td>Drum</td> <td>Front</td> <td>STD</td> <td>MAX 47 -15</td> <td>OPT 24-9</td> </tr> <tr> <td>ZDC</td> <td>ZFC</td> <td>ZRC</td> <td>71" I200W Forged</td> <td>Disk</td> <td>Rear</td> <td>STD</td> <td>MAX 47-29</td> <td>OPT 34-16</td> </tr> <tr> <td>ZMD</td> <td>ZMD</td> <td>ZMD</td> <td>66.25" EFA22 Forged</td> <td>Drum</td> <td>Front</td> <td>STD</td> <td>MAX 49-22</td> <td>OPT 19-0</td> </tr> <tr> <td>ZMC</td> <td>ZMC</td> <td>ZMC</td> <td>66.25" EFA22 Forged</td> <td>Disk</td> <td>Rear</td> <td>STD</td> <td>MAX 43-25</td> <td>OPT 36-20</td> </tr> <tr> <td>ZTC</td> <td>ZTC</td> <td>ZTC</td> <td>70.5" EFA22T2 Tubular</td> <td>Disk</td> <td>Rear</td> <td>STD</td> <td>MAX 45-29</td> <td>OPT 39-23</td> </tr> </tbody> </table>						AXLE MODELS	AXLE descr.	Brake	Location	YELLOW	GRAY	BLACK	GREEN	ZDD	ZFD	ZRD	71" I200W Forged	Drum	Front	STD	MAX 47 -15	OPT 24-9	ZDC	ZFC	ZRC	71" I200W Forged	Disk	Rear	STD	MAX 47-29	OPT 34-16	ZMD	ZMD	ZMD	66.25" EFA22 Forged	Drum	Front	STD	MAX 49-22	OPT 19-0	ZMC	ZMC	ZMC	66.25" EFA22 Forged	Disk	Rear	STD	MAX 43-25	OPT 36-20	ZTC	ZTC	ZTC	70.5" EFA22T2 Tubular	Disk	Rear	STD	MAX 45-29	OPT 39-23
AXLE MODELS	AXLE descr.	Brake	Location	YELLOW	GRAY	BLACK	GREEN																																																			
ZDD	ZFD	ZRD	71" I200W Forged	Drum	Front	STD	MAX 47 -15	OPT 24-9																																																		
ZDC	ZFC	ZRC	71" I200W Forged	Disk	Rear	STD	MAX 47-29	OPT 34-16																																																		
ZMD	ZMD	ZMD	66.25" EFA22 Forged	Drum	Front	STD	MAX 49-22	OPT 19-0																																																		
ZMC	ZMC	ZMC	66.25" EFA22 Forged	Disk	Rear	STD	MAX 43-25	OPT 36-20																																																		
ZTC	ZTC	ZTC	70.5" EFA22T2 Tubular	Disk	Rear	STD	MAX 45-29	OPT 39-23																																																		
<p>APPLICATION</p> <table border="1"> <thead> <tr> <th>AXLE MODELS</th> <th>AXLE descr.</th> <th>Brake</th> <th>Location</th> <th>YELLOW</th> <th>GRAY</th> <th>BLACK</th> <th>GREEN</th> </tr> </thead> <tbody> <tr> <td>ZDD</td> <td>ZFD</td> <td>ZRD</td> <td>71" I200W Forged</td> <td>Drum</td> <td>Front</td> <td>STD</td> <td>MAX 47 -15</td> <td>OPT 24-9</td> </tr> <tr> <td>ZDC</td> <td>ZFC</td> <td>ZRC</td> <td>71" I200W Forged</td> <td>Disk</td> <td>Rear</td> <td>STD</td> <td>MAX 47-29</td> <td>OPT 34-16</td> </tr> <tr> <td>ZMD</td> <td>ZMD</td> <td>ZMD</td> <td>66.25" EFA22 Forged</td> <td>Drum</td> <td>Front</td> <td>STD</td> <td>MAX 49-22</td> <td>OPT 19-0</td> </tr> <tr> <td>ZMC</td> <td>ZMC</td> <td>ZMC</td> <td>66.25" EFA22 Forged</td> <td>Disk</td> <td>Rear</td> <td>STD</td> <td>MAX 43-25</td> <td>OPT 36-20</td> </tr> <tr> <td>ZTC</td> <td>ZTC</td> <td>ZTC</td> <td>70.5" EFA22T2 Tubular</td> <td>Disk</td> <td>Rear</td> <td>STD</td> <td>MAX 45-29</td> <td>OPT 39-23</td> </tr> </tbody> </table>						AXLE MODELS	AXLE descr.	Brake	Location	YELLOW	GRAY	BLACK	GREEN	ZDD	ZFD	ZRD	71" I200W Forged	Drum	Front	STD	MAX 47 -15	OPT 24-9	ZDC	ZFC	ZRC	71" I200W Forged	Disk	Rear	STD	MAX 47-29	OPT 34-16	ZMD	ZMD	ZMD	66.25" EFA22 Forged	Drum	Front	STD	MAX 49-22	OPT 19-0	ZMC	ZMC	ZMC	66.25" EFA22 Forged	Disk	Rear	STD	MAX 43-25	OPT 36-20	ZTC	ZTC	ZTC	70.5" EFA22T2 Tubular	Disk	Rear	STD	MAX 45-29	OPT 39-23
AXLE MODELS	AXLE descr.	Brake	Location	YELLOW	GRAY	BLACK	GREEN																																																			
ZDD	ZFD	ZRD	71" I200W Forged	Drum	Front	STD	MAX 47 -15	OPT 24-9																																																		
ZDC	ZFC	ZRC	71" I200W Forged	Disk	Rear	STD	MAX 47-29	OPT 34-16																																																		
ZMD	ZMD	ZMD	66.25" EFA22 Forged	Drum	Front	STD	MAX 49-22	OPT 19-0																																																		
ZMC	ZMC	ZMC	66.25" EFA22 Forged	Disk	Rear	STD	MAX 43-25	OPT 36-20																																																		
ZTC	ZTC	ZTC	70.5" EFA22T2 Tubular	Disk	Rear	STD	MAX 45-29	OPT 39-23																																																		

THIS DRAWING IS THE PROPERTY OF TERRA DRIVE SYSTEMS, INC. AND IS NOT TO BE USED IN ANY WAY DETRIMENTAL TO ITS INTERESTS. THIS DRAWING IS SUBJECT TO RETURN UPON REQUEST. ALL COPIES OF THIS ELECTRONIC DOCUMENT, WHETHER ELECTRONIC, PRINTED, OR OTHERWISE, ARE UNCONTROLLED DOCUMENTS.

TOLERANCES UNLESS OTHERWISE SPECIFIED:
 1 PLACE DECIMAL ± .1
 2 PLACE DECIMAL ± .06
 3 PLACE DECIMAL ± .030
 ANGULAR ± 1'

TITLE: Guide, steer stop kit application/selection
 MODEL: EZT
 DRAWN BY: LCK
 DRAWING DATE: 10-07-21
 SCALE: 1:4
 ON SIZE B
 PART NUMBER: 9080600
 AS SHOWN

A	1-3-2022	Release for Production	E5482	LCK
#	Date	Was	Changed To	By

PTOs, Wheels, Pumps

PTOs

TDS #	Chelsea #			Ford 6R140
		3000 3500	4000 4700	
709375-13	870XEFJP-B5XV	1.13	1.61	
709375-14	870XEFJP-B3XV	1.13	1.61	
709375-15	870XFFJP-B5XV	1.28		
709375-16	870XFFJP-B3XV	1.28		
709375-17	870XGFJP-B5XV	1.45		
709375-18	870XGFJP-B3XV	1.45		
709375-19	870XDFJP-B5XV	.99	1.42	
709375-20	870XDFJP-B3XV	.99	1.42	
709375-23	870XBFJP-B5XV		1.24	
709375-24	870XBFJP-B3XV		1.24	
709375-25	870XCFJP-B5XV		1.33	
709375-26	870XCFJP-B3XV		1.33	
709375-28	272FPLLP-B8XD			124%
709375-29	272FPLLP-B8XD			137%

Wheels

TDS #	Description
709933-01	22.5 X 8.25 Aluminum, Polished
709933-04	22.5 X 9.00 Aluminum, Polished
709933-06	22.5 X 13.00 Aluminum, Polished
709933-09	22.5 X 11.75 Steel, White, 6.12 Inset
709933-10	22.5 X 9.00 Steel, White
709933-11	22.5 X 8.25 Steel, White
709933-12	22.5 X 11.75 Steel, White, 5.55 Inset
709933-13	22.5 X 13.00 Steel, White, 6.12 Inset
709933-15	22.5 X 9.00 Aluminum, Unpolished 10K
709933-16	22.5 X 9.00 Aluminum, Polished 10K



***Note: B5XV is Street Side, B3XV is Curb Side.

Primary Pumps

TDS #	Description
709014-02	Clockwise Rotation, 1 3/4" Keyed Shaft, SAE B Thru Mount
709014-05	Counterclockwise Rotation, 1 3/4" Keyed Shaft, Converted to L.H., SAE B Thru Mount
709014-06	Clockwise Rotation, 1 3/4" Keyed Shaft, SAE B-B Thru Mount, 15 T Spline
709014-07	Clockwise Rotation, 1 3/4" Keyed Shaft, SAE C Thru Mount, 14 T Spline
709014-08	Clockwise Rotation, 1 3/4" Keyed Shaft, SAE A Thru Mount, 9 T Spline
709014-09	130 CC, Clockwise Rotation, 27 T Splined Shaft, SAE B Thru Mount
709014-10	130 CC, Clockwise Rotation, 14 T Splined Shaft, SAE C Thru Mount
709014-11	130 CC, Clockwise Rotation, 15 T Spline Shaft, SAE B-B Thru Mount
709014-15	CCW Rotation, 1 3/4" Keyed Shaft, SAE B-B Thru Mount, 15 T Spline, Converted to L.H.

BRAKES

Drum Brake Kits

TDS #	Rating
150470	10k-12k-13.2k
150471	14k
150472	16k-18k-20k

Disc Brakes

Bendix #	Brake
K070796	ADB22X

RECOMMENDED SPARE PARTS LIST

	TDS #	Description	Qty Per Axle	Suggested Qty
1	9132400	Compact Cooler Heat Exchanger	1	1
2	9132401	Compact Cooler Fan Assembly	1	1
3	9132402	Compact Cooler Level Switch	1	1
4	9132403	Compact Cooler Sight Gage	1	1
5	9132404	Compact Cooler Filter Element	1	1
6	9132405	Compact Cooler Filter Cap with O-ring	1	1
7	9132406	Compact Cooler Small Suction Screen	1	1
8	9132407	Compact Cooler Breather Assembly	1	1
9	711035-02	1/4-NPT Temp Sensor	1	1
10	150496	Service Seal Kit	2	2
11	9024300	EZ Trac Switch Assembly	1	1
12	708818-01	Smart Drive Easy Controller	1	1
16	150497	King Pint Service Kit	2	2
17	9080601	Steer stop kit, GREEN (see pg 47 to determine proper Steer Stop kit)	2	2
18	9080602	Steer stop kit, RED (see pg 47 to determine proper Steer Stop kit)	2	2
19	9080603	Steer stop kit, GRAY (see pg 47 to determine proper Steer Stop kit)	2	2
20	9080604	Steer stop kit, BLACK (see pg 47 to determine proper Steer Stop kit)	2	2
21	9080605	Steer stop kit, YELLOW (see pg 47 to determine proper Steer Stop kit)	2	2



HYDRAULIC AWD

Terra Drive Systems

(219) 279-2801

9098 W. 800 S.
Brookston, IN 47923

eztracsales@tdsdrive.com

eztracservice@tdsdrive.com