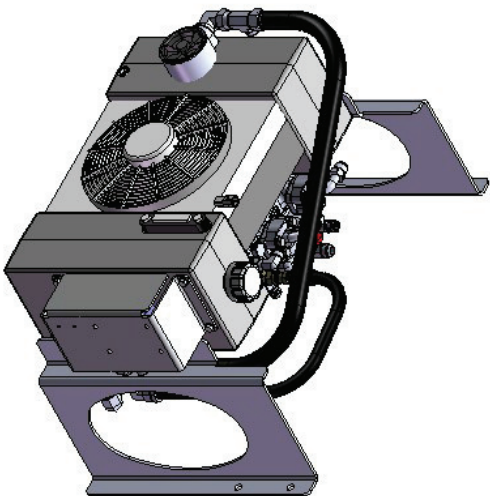
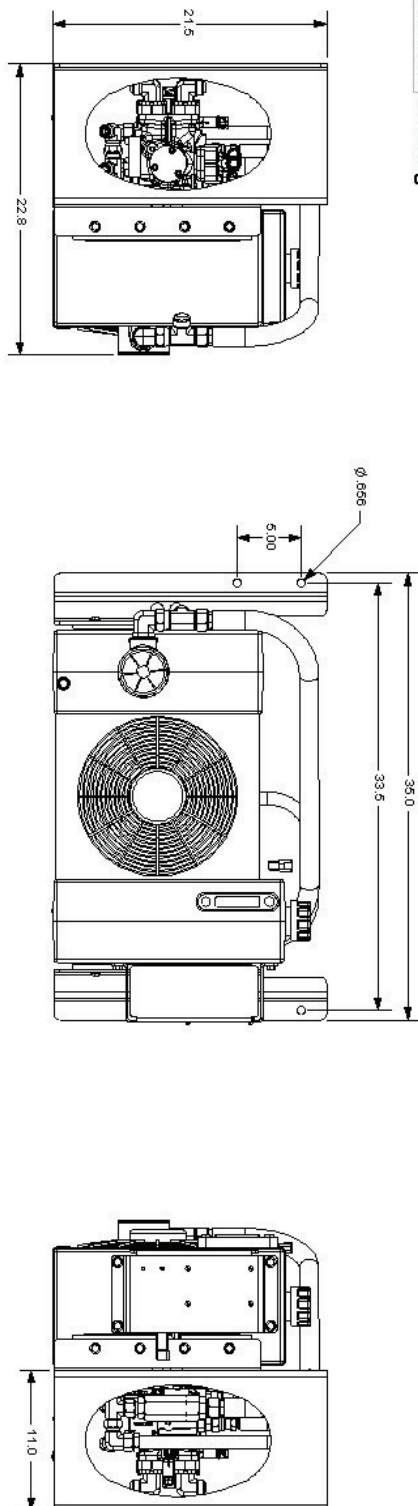




# C. STANDARD RESERVOIR ASSEMBLY

710688-05 Marketing



THIS DRAWING IS THE PROPERTY OF TERRA DRIVE SYSTEMS, INC. AND IS NOT TO BE USED IN ANY WAY DETRIMENTAL TO ITS INTERESTS. THIS DRAWING IS SUBJECT TO RETURN UPON REQUEST. ALL COPIES OF THIS ELECTRONIC DOCUMENT (WHETHER ELECTRONIC, PRINTED, OR OTHERWISE), ARE UNCONTROLLED DOCUMENTS.

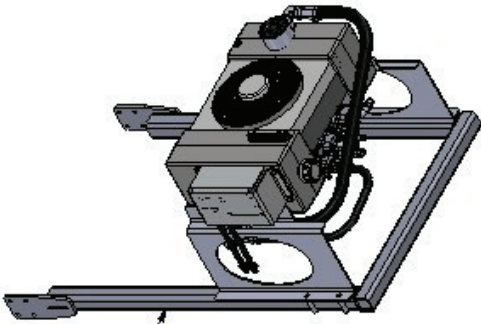
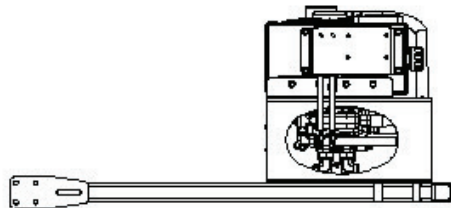
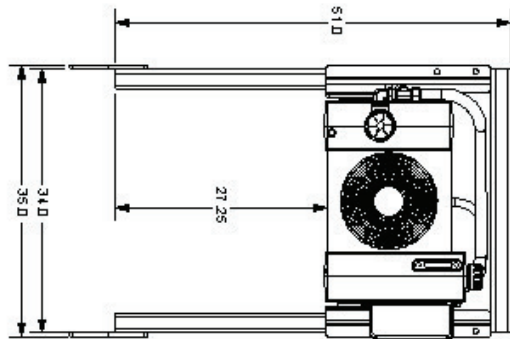
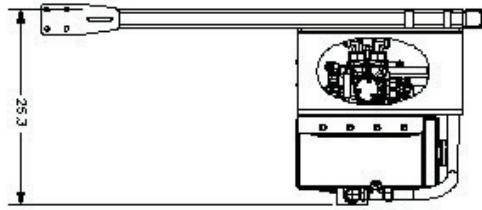
TOLERANCES UNLESS OTHERWISE SPECIFIED

1 PLACE DECIMAL	± .1
2 PLACE DECIMAL	± .05
3 PLACE DECIMAL	± .030
ANGULAR	± 1°

TITLE	MODEL
Cooler Marketing Dim's	EZ Trac
DRAWN BY: JRD	DRAWING DATE: 3/17/15
PART NUMBER	DRAWING NO.
710688-05	710688-05 Marketing
	SHEET 1
	OF 1

## D. BOC (Back Of Cab) Reservoir/Cooler Mount (Optional)

9011100 Marketing



O.I.V. Includes the tube bracket  
(Cook function included)



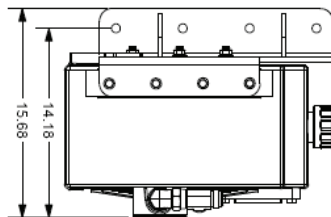
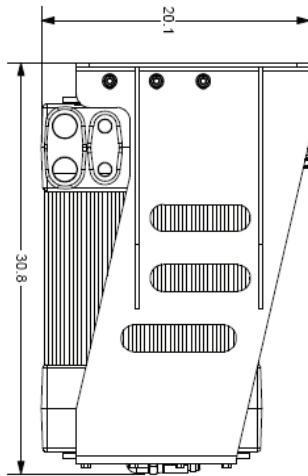
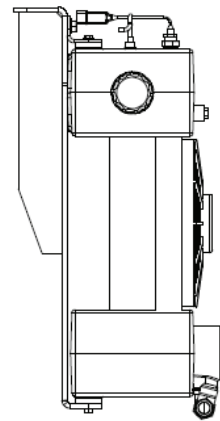
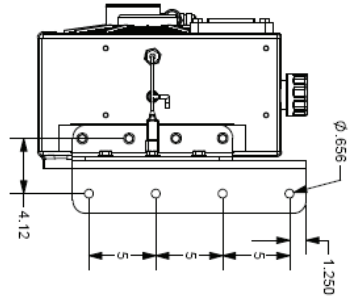
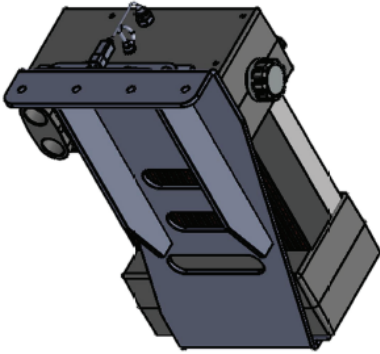
THIS DRAWING IS THE PROPERTY OF TERMA DRIVESYSTEMS, INC. AND IS NOT TO BE REPRODUCED OR TRANSMITTED IN ANY FORM OR BY ANY MEANS, ELECTRONIC OR MECHANICAL, INCLUDING PHOTOCOPYING, RECORDING, OR BY ANY INFORMATION STORAGE AND RETRIEVAL SYSTEM, WITHOUT THE WRITTEN PERMISSION OF TERMA DRIVESYSTEMS, INC. ALL DIMENSIONS ARE UNLESS OTHERWISE SPECIFIED IN MILLIMETERS.

- |                     |        |
|---------------------|--------|
| 1 PLACE DIMENSIONAL | 2: .1  |
| 2 PLACE DIMENSIONAL | 2: .05 |
| 3 PLACE DIMENSIONAL | 3: .02 |
| 4 PLACE DIMENSIONAL | 4: .01 |

TITLE	MODEL
Back-of Cab Reservoir Mount	EZ Trac
DRAWING BY: JAD	DRAWING DATE: 07/15/10
PART NUMBER	9011100 Marketing
DRAWING NO.	SCALE: 1:1
9011100	ON SIZE B
	SHEET 1
	OF 1

## E. 90 Degree Bracket for Cooler/Reservoir (Optional)

9511100



THIS DRAWING IS THE PROPERTY OF TERRA DRIVE SYSTEMS, INC. AND IS NOT TO BE USED IN ANY WAY DETRIMENTAL TO ITS INTERESTS. THIS DRAWING IS SUBJECT TO RETURN UPON REQUEST. ALL COPIES OF THIS ELECTRONIC DOCUMENT, WHETHER ELECTRONIC, PRINTED, OR OTHERWISE, ARE UNCONTROLLED DOCUMENTS.

TOLERANCES UNLESS OTHERWISE SPECIFIED:  
 1 PLACE DECIMAL : ± .18  
 2 PLACE DECIMAL : ± .030  
 3 PLACE DECIMAL : ± .010  
 ANGLE : ± 1°

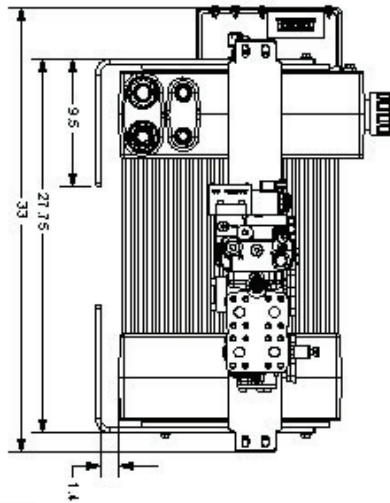
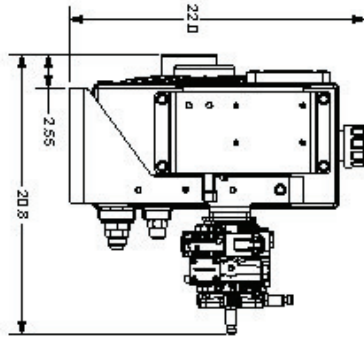


TITLE: 90 Degree Frame Mount Cooler  
 MODEL: EZ Trac  
 DRAWN BY: JRC DRAWING DATE: 10/13/15 SCALE: 1:8 ON SIZE B  
 PART NUMBER: 9511100 DRAWING NO.: SHEET 1 OF 1

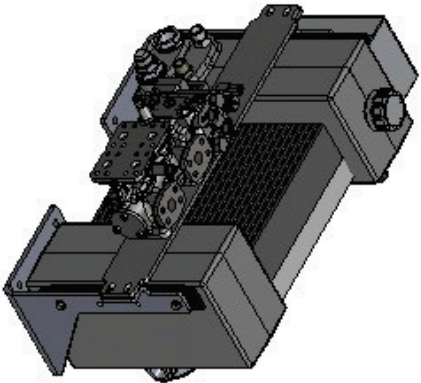
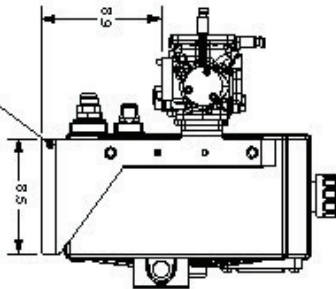


## B. Foot Mount Cooler/Reservoir (Optional)

9121100 Marketing



KITCHEN'S FOOT BRACKETS & OILY  
(COOLERS BOTH SIDES)



<p>THIS DRAWING IS THE PROPERTY OF TERRA DRIVE SYSTEMS, INC. AND IS NOT TO BE USED IN ANY WAY DETRIMENTAL TO ITS INTERESTS. THIS DRAWING IS SUBJECT TO RETURN UPON REQUEST. ALL COPIES OF THIS ELECTRONIC DOCUMENT, WHETHER ELECTRONIC, PRINTED, OR OTHERWISE, ARE UNCONTROLLED DOCUMENTS.</p> <p>TOLERANCES UNLESS OTHERWISE SPECIFIED:          2 PLACE DECIMAL     0.46          1 PLACE DECIMAL     0.416          FRACTIONS             1/16</p>			
<p><b>TDS</b></p>		<p>DATE: 11/11/10</p>	
<p>PROJECT: 9121100</p>		<p>DESIGNER: JTB</p>	
<p>DESCRIPTION: Foot Mount Brackets</p>		<p>SCALE: 1:1</p>	
<p>PART NUMBER: 9121100</p>		<p>MARKET: 9121100 Marketing</p>	
<p>DATE: 11/11/10</p>		<p>ON SITE: 1</p>	
<p>REV: 1</p>		<p>SHEET: 1</p>	